



# **8000-G SERIES TRACTOR ILLUSTRATED PARTS LIST**

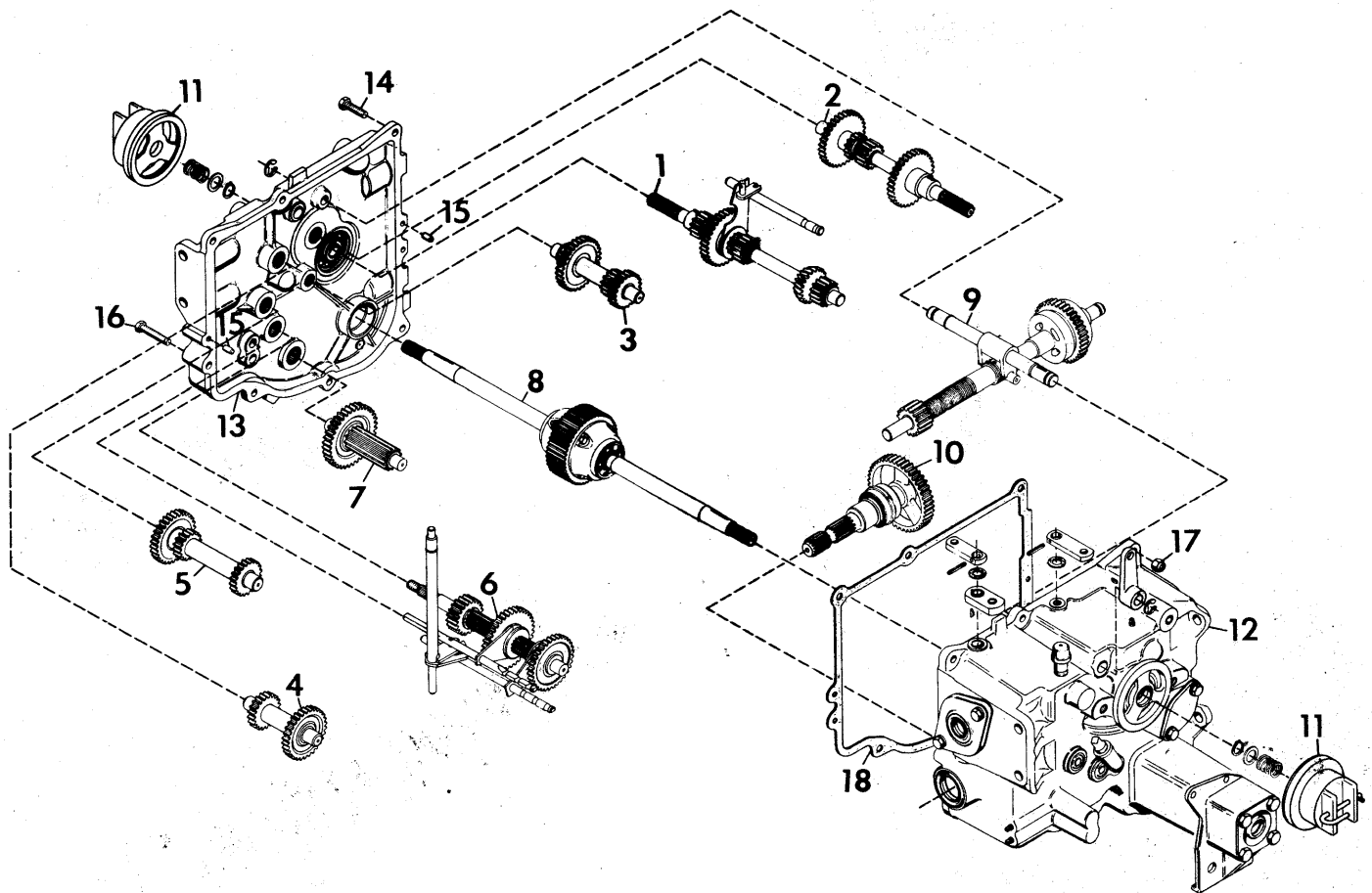
TO CONTINUE ITS PROGRAM OF QUALITY AND DESIGN IMPROVEMENTS, THE MANUFACTURER RESERVES THE RIGHT TO CHANGE SPECIFICATIONS, DESIGNS AND PRICES WITHOUT NOTICE AND WITHOUT INCURRING OBLIGATION. THE MANUFACTURER ALSO RESERVES THE RIGHT TO SHIP WITHOUT NOTICE AND WITHOUT INCURRING OBLIGATION.

 **GRAVELLY.**

## TABLE OF CONTENTS

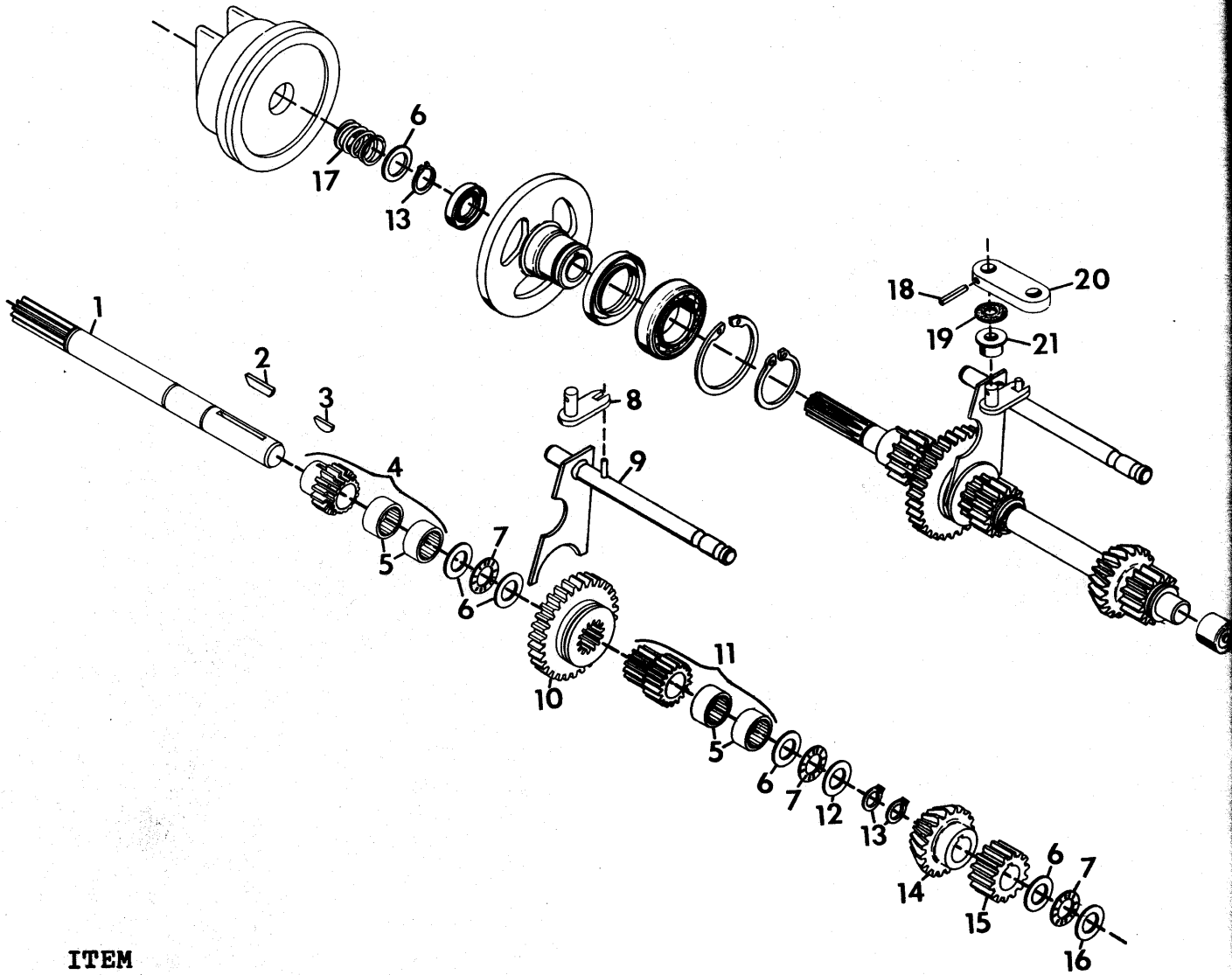
	<u>Page</u>
Transmission . . . . .	1
Number One Shaft - Forward Clutch . . . . .	2
Number Two Shaft - Reverse Clutch . . . . .	3
Number Three Shaft - 3rd and 4th Gear . . . . .	4
Number Four Shaft - Idler . . . . .	4
Number Five Shaft - 1st and 2nd Gear . . . . .	4
Number Six Shaft - Brake/Sliding Gear . . . . .	6
Number Seven Shaft - Pinion/Final Drive . . . . .	8
Number Eight Shaft - Differential Assembly . . . . .	8
Number Nine Shaft - PTO Clutch . . . . .	10
Number Ten Shaft - PTO Drive Assembly . . . . .	12
Number Eleven - Fwd-Rev Clutch Assembly . . . . .	12
Number Twelve - Transmission Case Assembly . . . . .	14
Number Thirteen - Transmission Cover Assembly . . . . .	16
Frame . . . . .	18
Hood and Rear Deck . . . . .	20
Rear Hitch . . . . .	23
Hydraulic System . . . . .	24
Manual Lift . . . . .	26
Steering - Models 8122-G, 8123-G and 8163-G . . . . .	28
- Models 8179-G and 8199-G . . . . .	30
Direction Control . . . . .	32
Transmission Controls . . . . .	34
Brake Linkage . . . . .	35
Fuel and Exhaust System - Models 8122-G and 8123-G . . . . .	36
- Model 8163-G . . . . .	38
- Models 8179-G and 8199-G . . . . .	40
Electrical System - Models 8122-G and 8123-G . . . . .	42
- Model 8163-G . . . . .	44
- Models 8179-G and 8199-G . . . . .	46
Front and Rear Wheels . . . . .	48

# TRANSMISSION



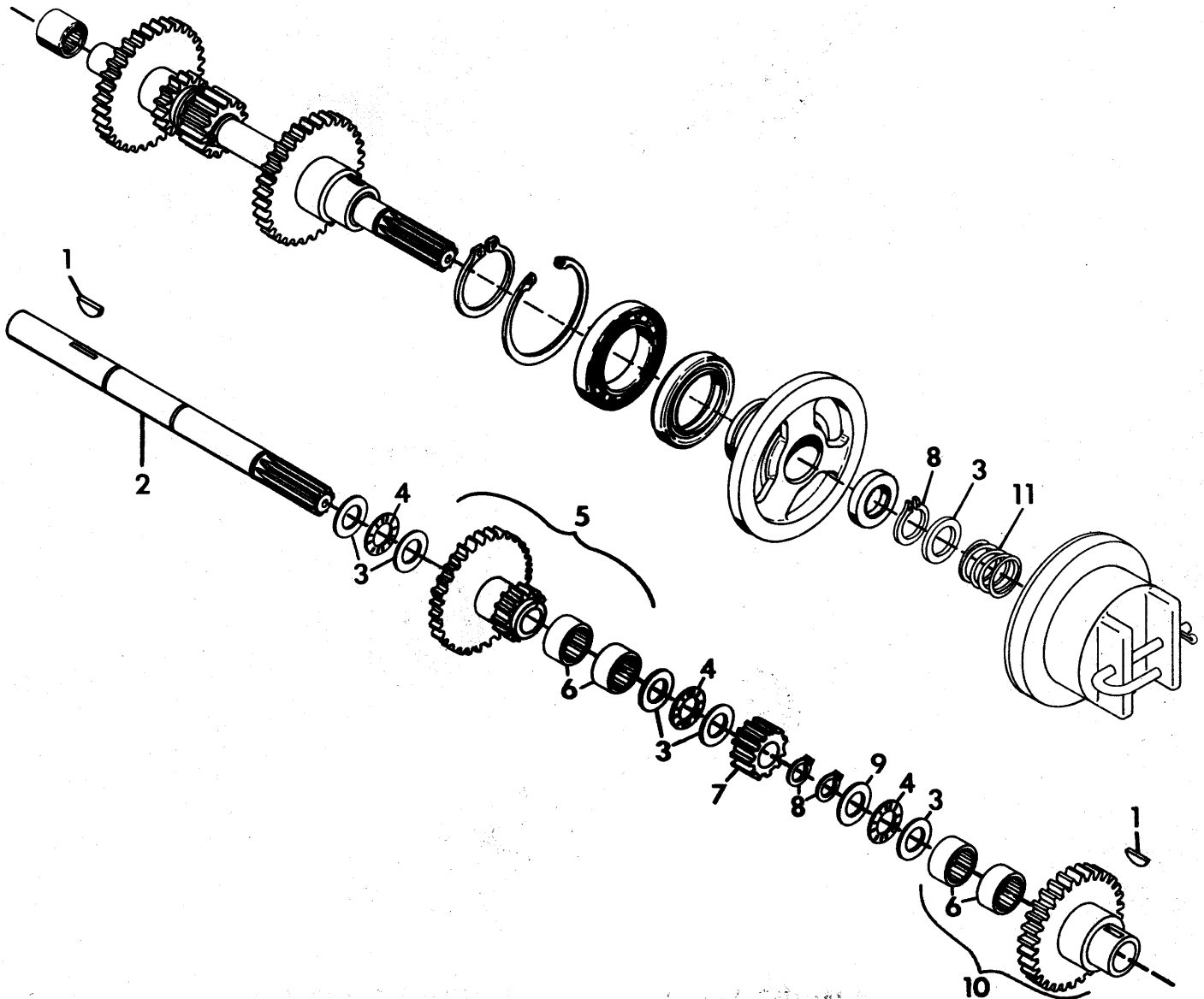
ITEM NO.	PART NO.	QTY.	DESCRIPTION
1			Number 1 Shaft, Forward Clutch
2			Number 2 Shaft, Reverse Clutch
3			Number 3 Shaft, 3rd and 4th Gear
4			Number 4 Shaft, Idler
5			Number 5 Shaft, 1st and 2nd Gear
6			Number 6 Shaft, Brake-Sliding Gear
7			Number 7 Shaft, Pinion-Final Drive
8			Number 8 Shaft, Differential Asm.
9			Number 9 Shaft, PTO Clutch Arm
10			Number 10 Shaft, PTO Drive Asm.
11			Number 11, Fwd-Rev Clutch Asm.
12			Number 12, Transmission Case Asm.
13			Number 13, Transmission Cover Asm.
14	180126	6	Bolt, Hex 3/8-16x1.50
15	18089	2	Pin, Dowel .375x.625
16	180132	2	Bolt, Hex 3/8-16x2.25
17	456004	6	Nut, Lock 3/8-16
18	18027	1	Gasket, Transmission Cover

## NUMBER ONE SHAFT - FORWARD CLUTCH



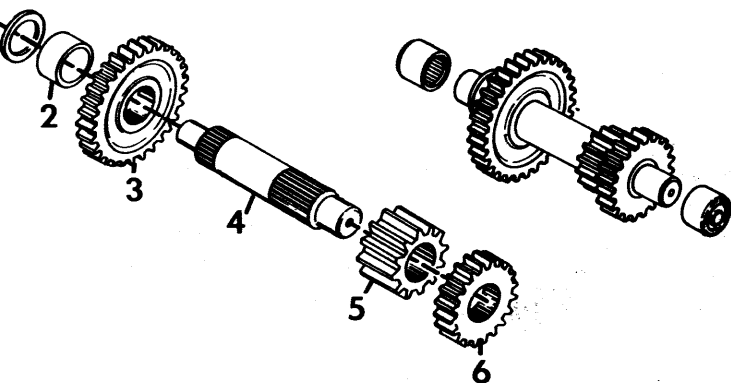
ITEM NO.	PART NO.	QTY.	DESCRIPTION
1	34731	1	Shaft, Splined Fwd Clutch
2	117989	1	Key, Woodruff .188x1.25 Hard #19
3	431787	1	Key, Woodruff .188x.625 Hard #61
4	18025	1	Gear and Bearing Assembly
5	17949	4	Bearing, Needle .75x1x.50
6	11223	5	Race, Bearing Thrust .752x1.240x.030
7	6741	3	Bearing, Thrust .752x1.240x.078
8	17926	1	Weldment, Shifter
9	20755	1	Weldment, Shift Rail
10	18011	1	Gear, Spur
11	18007	1	Gear and Bearing Assembly
12	6742	1	Race, .060 Bearing Thrust
13	11135	3	Ring, Retaining .750 Shaft
14	18006	1	Gear, Bevel
15	18003	1	Gear, 10 DP 16 Teeth x .750 Std.
16	14998	1	Race, Thrust .752x1.240x.095
17	20444	1	Spring, Comp. 1.0x.80x36 lb/in
18	421202	1	Pin, Spring .188x1.00
19	21141	1	Washer, Felt
20	17929	1	Arm, Shifter
21	17925	1	Bushing, 2-Speed

# NUMBER TWO SHAFT - REVERSE CLUTCH

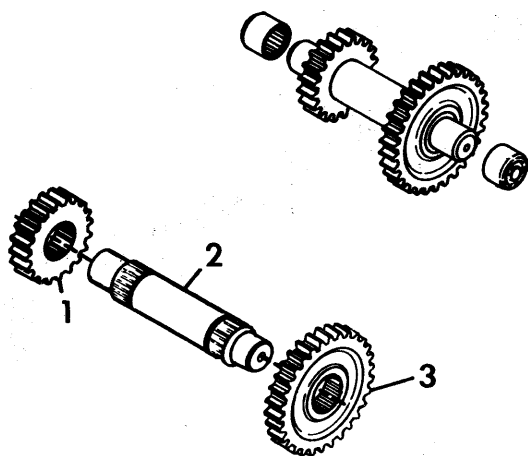


ITEM NO.	PART NO.	QTY.	DESCRIPTION
1	431787	2	Key, Woodruff .188x.625 Hard #61
2	34730	1	Shaft, Splined Reverse Clutch
3	11223	6	Race, Bearing Thrust .752x1.240x.030
4	6741	3	Bearing, Needle .752x1.240x.078
5	18020	1	Gear, Idler Assembly
6	17949	4	Bearing, Needle .75x1x.50
7	18003	1	Gear, 10 DP 16 Teeth x .750 Std.
8	11135	3	Ring, Retaining .750 Shaft
9	6742	1	Race, .060 Bearing Thrust
10	17947	1	Assembly, Reverse Gear and Bearing
11	20444	1	Spring, Comp. 1.0x.80x36 lb/in

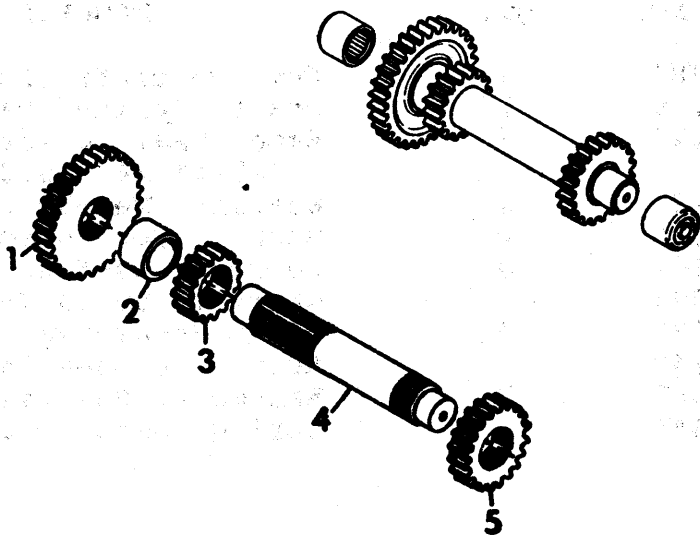
### NUMBER THREE SHAFT - 3RD AND 4TH GEAR



### NUMBER FOUR SHAFT - IDLER



### NUMBER FIVE SHAFT - 1ST AND 2ND GEAR



### NUMBER THREE SHAFT - 3RD AND 4TH GEAR

ITEM NO.	PART NO.	QTY.	DESCRIPTION
1	18000	1	Bearing, Thrust Race
2	17999	1	Spacer, 1.027x1.125x.457
3	19535	1	Gear
4	17997	1	Shaft, Splined
5	17992	1	Gear, 10 DP 16 Teeth x .750
6	15118	1	Gear, 10 DP 20 Teeth x .600

### NUMBER FOUR SHAFT - IDLER

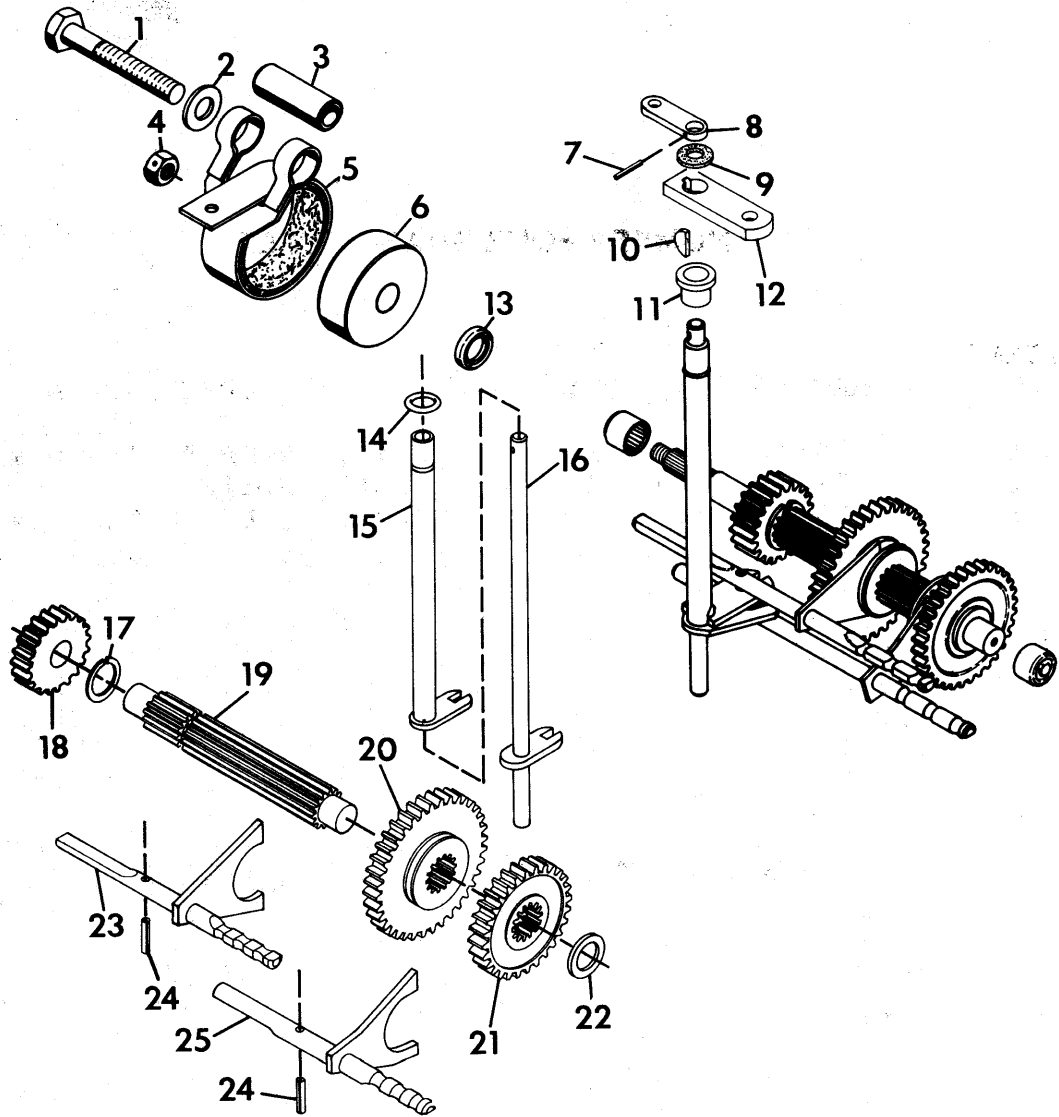
ITEM NO.	PART NO.	QTY.	DESCRIPTION
1	15118	1	Gear, 10 DP 20 Teeth x .600
2	17995	1	Shaft, Splined
3	15115	1	Gear, 10 DP 30 Teeth x .500

### NUMBER FIVE SHAFT - 1ST AND 2ND GEAR

ITEM NO.	PART NO.	QTY.	DESCRIPTION
1	15115	1	Gear, 10 DP 30 Teeth x .500
2	17993	1	Spacer, 1.027x1.125x.550
3	17992	1	Gear, 10 DP 16 Teeth x .750
4	17989	1	Shaft, Splined
5	15118	1	Gear, 10 DP 20 Teeth x .600



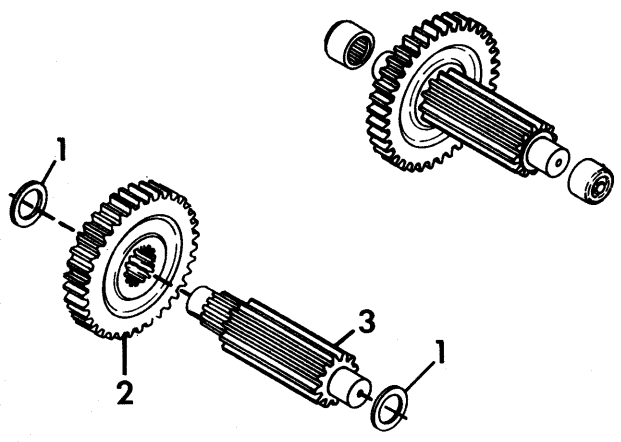
# NUMBER SIX SHAFT - BRAKE/SLIDING GEAR



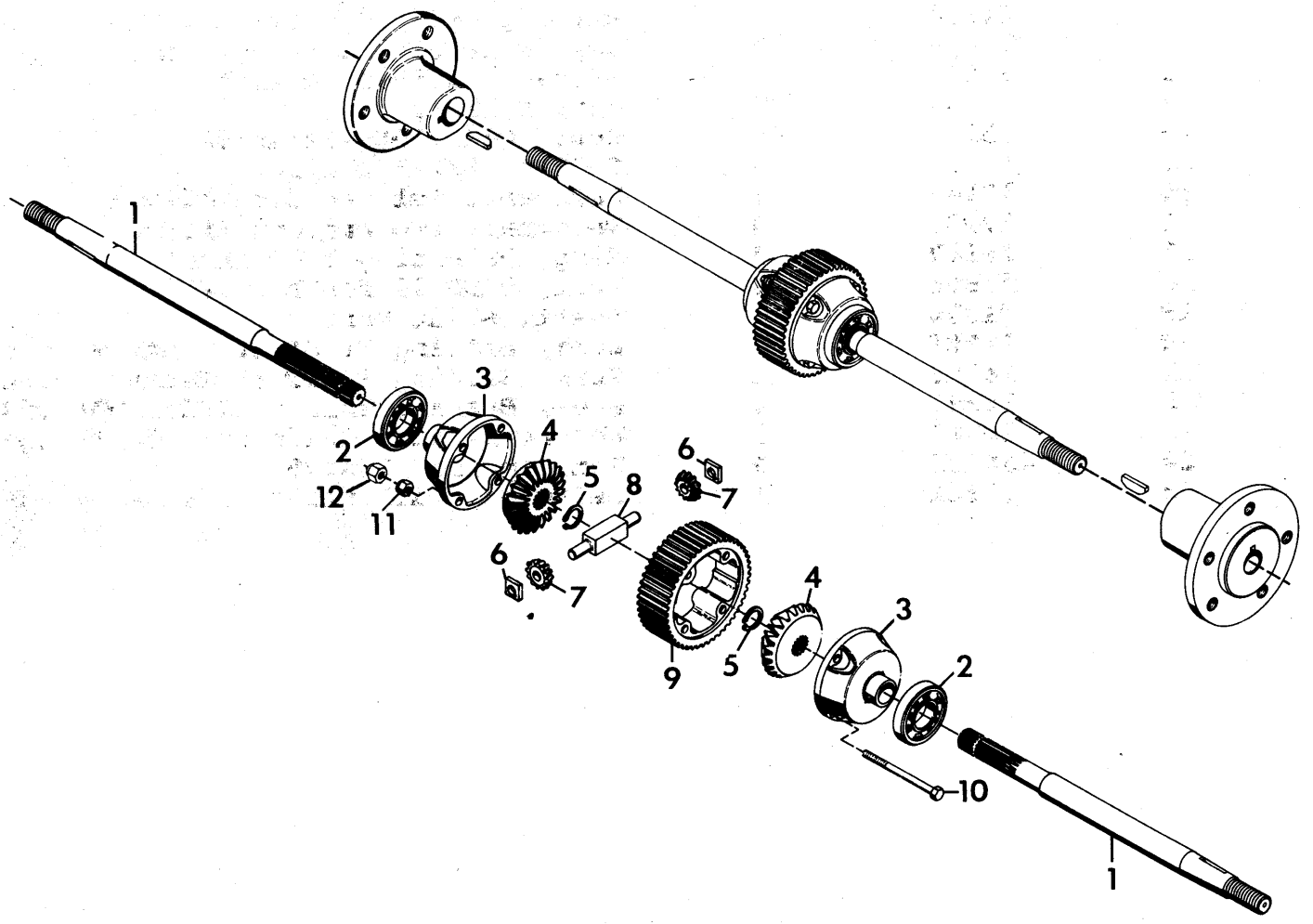
## NUMBER SIX SHAFT - BRAKE/SLIDING GEAR

ITEM NO.	PART NO.	QTY.	DESCRIPTION
1	180188	1	Bolt, Hex 1/2-13x2.75
2	120396	1	Washer, Flat .531x1.062x.095
3	18165	1	Bushing, .530x.750x2.06
4	414075	1	Nut, Lock 5/8-11
5	40732	1	Assembly, Brake Band
6	21371	1	Drum, Brake
7	421202	1	Pin, Spring .188x1.000
8	17945	1	Arm, Shifter
9	21141	1	Washer, Felt (Special for Trans.)
10	271089	1	Key, Woodruff .125x.375 Hard
11	17943	1	Bushing, .756x1.125x.75
12	17944	1	Arm, Shifter
13	15137	1	Seal, Oil .750x1.254x.188
14	18018	1	O-Ring, 5/8x3/4x1/16
15	17940	1	Weldment, 1st and 3rd Shifter
16	17937	1	Weldment, 2nd and 4th Shifter
17	14987	1	Ring, Retaining 1.00 Shaft
18	14988	1	Gear, 8 DP 16 Teeth x .850
19	21370	1	Shaft, Slide Gear
20	14989	1	Gear, Sliding 10 DP 36 Teeth x .594
21	14995	1	Gear, Sliding 10 DP 30 Teeth x .594
22	14998	1	Race, Bearing Thrust .752x1.240x.095
23	20761	1	Weldment, Rail Shift Fork 1&3 Range
24	456390	2	Pin, Spring .25x.75
25	20762	1	Weldment, Rail Shift Fork 2&4 Range

# NUMBER SEVEN SHAFT - PINION/FINAL DRIVE



# NUMBER EIGHT SHAFT - DIFFERENTIAL ASSEMBLY



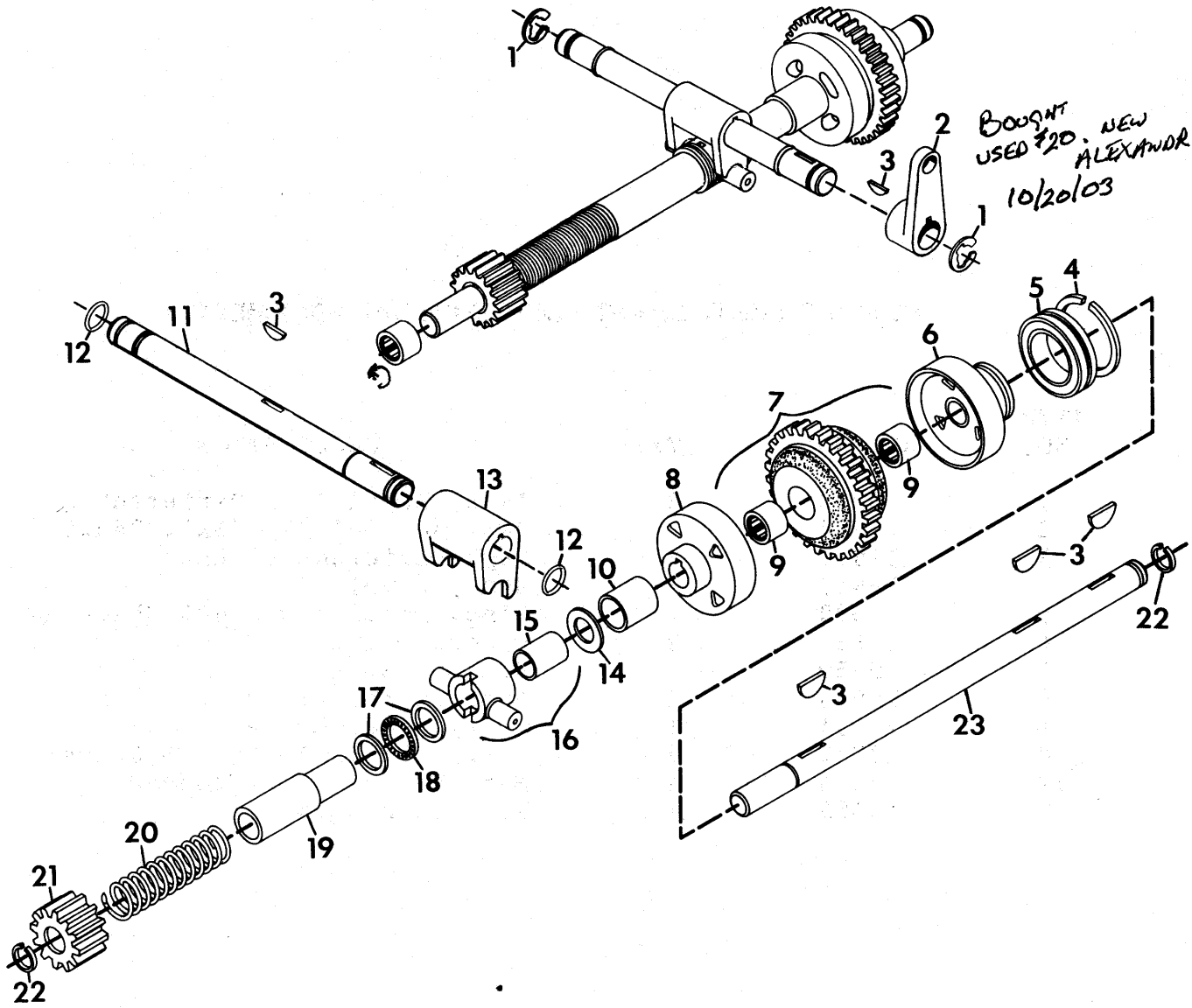
## NUMBER SEVEN SHAFT - PINION/FINAL DRIVE

ITEM NO.	PART NO.	QTY.	DESCRIPTION
1	19340	2	Race, Bearing Thrust 1.002x1.552x.030
2	17987	1	Gear, 8 DP 30 Teeth x .750
3	17986	1	Pinion, Final Drive

## NUMBER EIGHT SHAFT - DIFFERENTIAL ASSEMBLY

ITEM NO.	PART NO.	QTY.	DESCRIPTION
1	40300	2	Axle, Bevel Gear Differential
2	17984	2	Bearing, Ball 1.378x2.834x.669
3	19956	2	Cap, Differential End
4	19953	2	Gear, Bevel
5	17980	2	Ring, Retaining 1.000 Shaft
6	12667	2	Block, Drive
7	19952	2	Pinion, Bevel
8	19954	1	Pin, Spider Pinion
9	23531	1	Gear, Final Drive
10	23712	4	Bolt, Hex 5/16-18x2.75 Grade-8
11	20514	4	Nut, Hex 5/16-18 Grade-8
12	419455	4	Nut, Lock 5/16-18

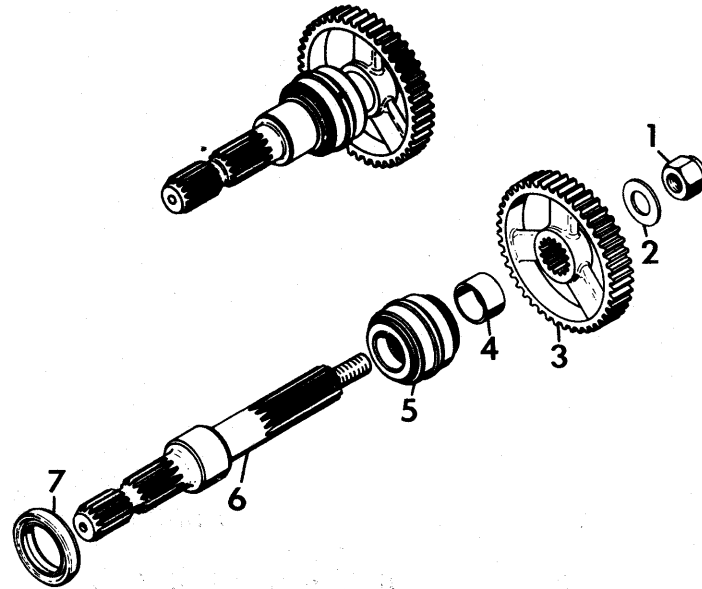
# NUMBER NINE SHAFT - PTO CLUTCH



## NUMBER NINE SHAFT - PTO CLUTCH

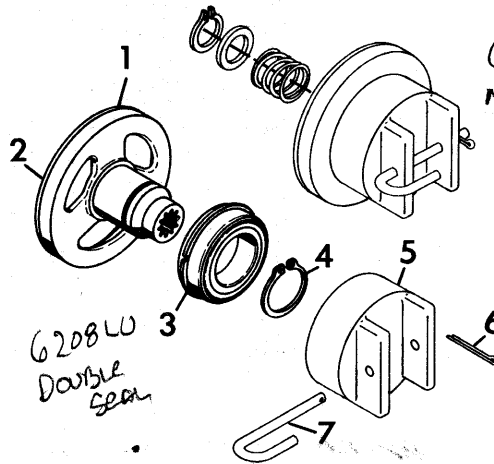
ITEM NO.	PART NO.	QTY.	DESCRIPTION
1	11270	2	E-Ring, .750 Shaft
2	18019	1	Lever, PTO
3	124549	5	Key, Woodruff .187x.750 Hard #9
4	17966	1	Ring, Retaining 1.375 Eaton 340-1
5	17967	1	Bearing, Ball 1.378x2.440x.551
6	17952	1	Cup, Clutch
7	17953	1	Assembly, Clutch Cone Bearing
8	17957	1	Cup, Clutch
9	17949	2	Bearing, Needle .750x1.00x.50
10	17958	1	Spacer, PTO
11	18017	1	Shaft, PTO Yoke
12	18018	2	O-Ring, .625x.750x.060
13	18016	1	Yoke, PTO
14	14998	1	Race, Thrust Bearing .752x1.240x.095
15	17962	1	Bushing
16	17960	1	Assembly, Shifting Collar
17	17959	2	Bearing, Thrust Race
18	11225	1	Bearing, Needle Thrust 1.002x1.552
19	34194	1	Throw-Out, PTO
20	34193	1	Spring, Comp. Type 5x1.50x200 Rate
21	17965	1	Gear, Spur PTO 10 DP 22 Teeth x 1.200 Std.
22	15733	2	Ring, Retaining .750 Shaft
23	17951	1	Shaft, PTO Clutch

# NUMBER TEN SHAFT - PTO DRIVE ASSEMBLY



# NUMBER ELEVEN - FWD-REV CLUTCH ASSEMBLY

5-25-06



GOLDEN EAGLE STARS  
NEW ALEX 6494

GOLDEN EAGLE  
38.95  
NEW ALEX  
45.20

G208LU  
DOUBLE  
SEAL

## NUMBER TEN SHAFT - PTO DRIVE ASSEMBLY

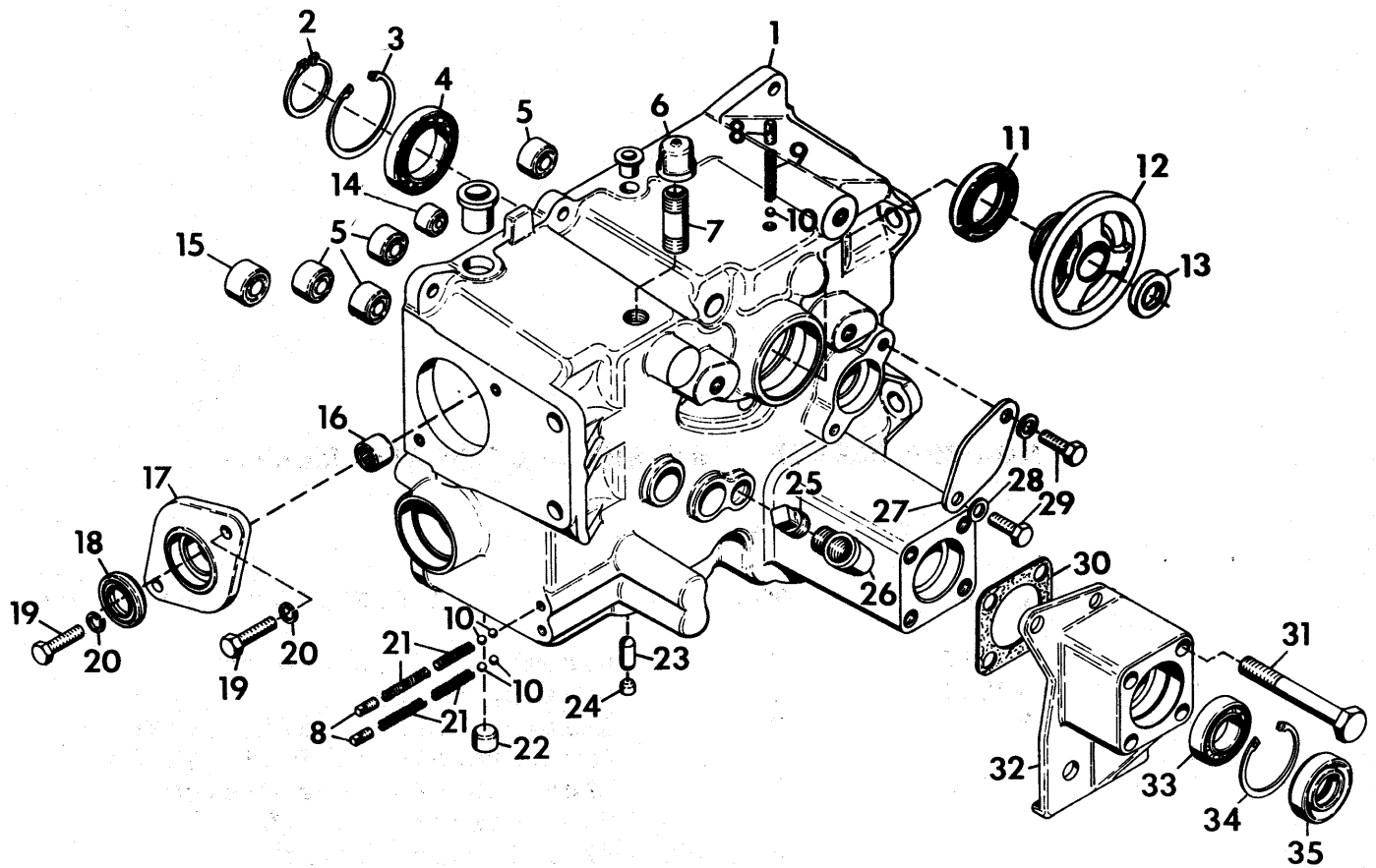
ITEM NO.	PART NO.	QTY.	DESCRIPTION
1	414075	1	Nut, Lock 5/8-11
2	33845	1	Washer, Flat .687x1.312x.122
3	17922	1	Gear, Spur PTO; 10 DP 56 Teeth x .750 Std.
4	17924	1	Spacer, 1.060x1.375x.450
5	14640	1	Assembly, Bearing 1.000x1.980x1.243
6	19538	1	Shaft, PTO
7	17923	1	Seal, Oil 1.375x2.129x.312

## NUMBER ELEVEN - FWD-REV CLUTCH ASSEMBLY

ITEM NO.	PART NO.	QTY.	DESCRIPTION
1	38932	2	Assembly, Clutch Disc
2	38931	2	Lining, Clutch
3	35330	2	Bearing, Ball 1.574x3.149x.708 6208LU
4	18043	2	Ring, Retaining 1.562 Shaft
5	34734	2	Trunnion, Fwd-Rev Clutch
6	121223	2	Pin, Cotter .06x.75
7	35681	2	Pin, Clutch Spring



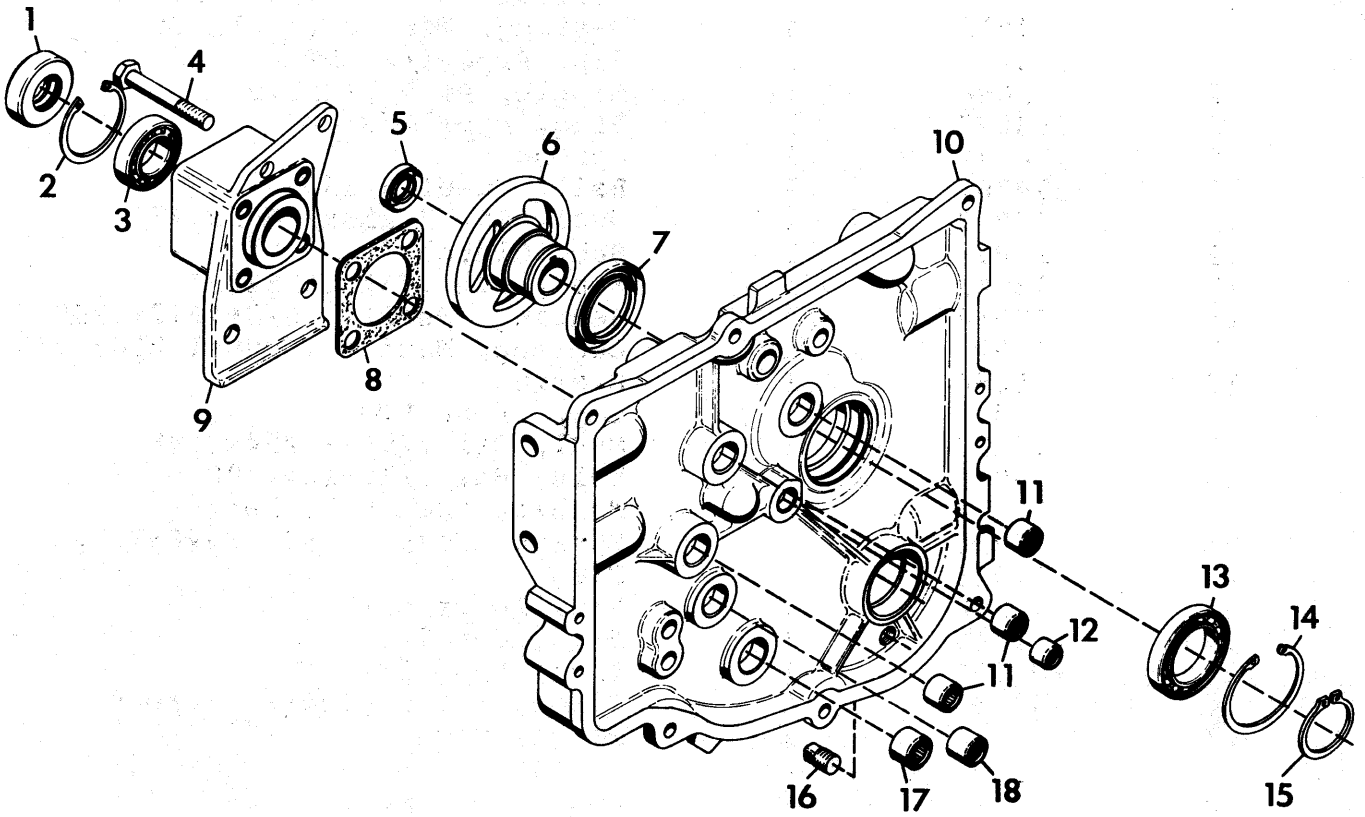
# NUMBER TWELVE - TRANSMISSION CASE ASSEMBLY



## NUMBER TWELVE - TRANSMISSION CASE ASSEMBLY

ITEM NO.	PART NO.	QTY.	DESCRIPTION
1	17910	1	Assembly, Transmission Case
2	17919	1	Ring, Retaining 1.969 Shaft
3	18872	1	Ring, Retaining 3.156 Bore
4	17915	1	Bearing, Ball 1.968x3.149x.629
5	17913	4	Bearing, Needle .75x1x.75
6	19472	1	Cap, Pipe 1/2 NPT
7	121664	1	Nipple, Pipe 1/2x2.5
8	103877	3	Plug, Pipe 1/8
9	24772	1	Spring
10	274301	5	Ball, Steel 5/16
11	17917	1	Seal, Oil 2.250x3.005x.375
12	18024	1	Hub, Clutch
13	18035	1	Seal, Oil .75x1.625x.25
14	17914	1	Bearing, Needle .625x.812x.750
15	17912	1	Bearing, Needle 1.000x1.250x.750
16	9660	1	Bearing
17	18859	1	Cap, Front PTO
18	15137	1	Seal, Oil .750x1.254x.188
19	180079	2	Bolt, Hex 5/16-18x1.00
20	120214	2	Washer, Lock 5/16 Reg.
21	17936	4	Spring, Comp. 1.50x.30x26 lb/in
22	17946	1	Plug
23	18200	1	Pin, Interlock
24	421743	1	Plug, Cup 3/8
25	103880	1	Plug, Pipe 1/2
26	108686	1	Elbow, 1/2 90 Degree Street
27	18421	1	Plate, Cover
28	120394	2	Washer, Flat .406x.812x.065
29	180120	2	Bolt, Hex 3/8-16x.750
30	18030	1	Gasket
31	180191	4	Bolt, Hex 1/2-13x3.25
32	34740	1	Retainer, Axle Bearing
33	18029	1	Bearing, Ball 1.250x2.250x.500
34	18812	1	Ring, Retaining
35	18031	2	Seal, Oil Axle

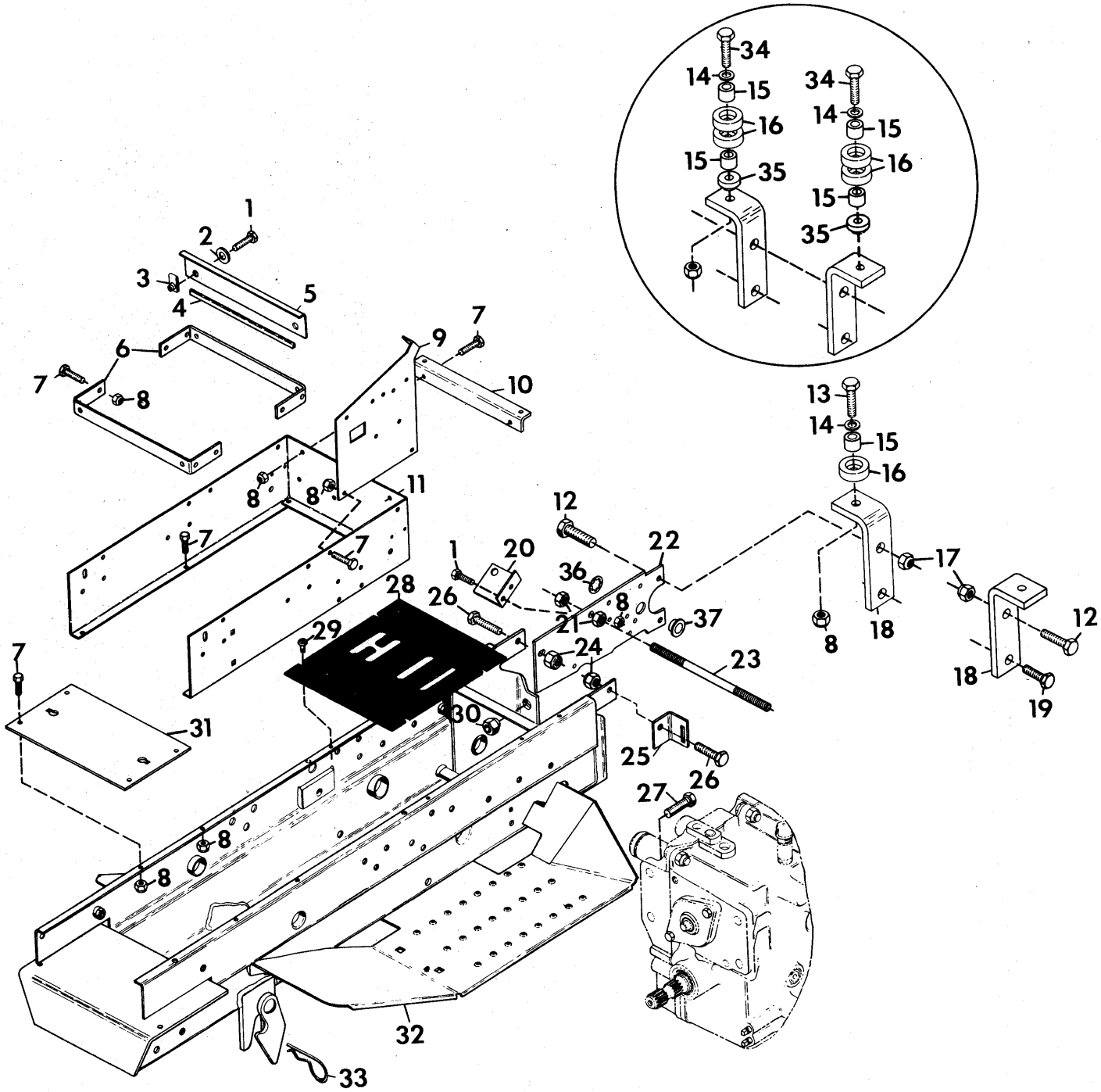
# NUMBER THIRTEEN - TRANSMISSION COVER ASSEMBLY



# NUMBER THIRTEEN - TRANSMISSION COVER ASSEMBLY

ITEM NO.	PART NO.	QTY.	DESCRIPTION
1	18031	2	Seal, Oil Axle
2	18812	1	Ring, Retaining
3	18029	1	Bearing, Ball 1.250x2.250x.500
4	180191	4	Bolt, Hex 1/2-13x3.25
5	18035	1	Seal, Oil .750x1.625x.250
6	18024	1	Hub, Clutch
7	17917	1	Seal, Oil 2.250x3.005x.375
8	18030	1	Gasket
9	34740	1	Retainer, Axle Bearing
10	18022	1	Assembly, Transmission Cover
11	17913	3	Bearing, Needle .75x1x.75
12	17914	1	Bearing, Needle .625x.812x.75
13	17915	1	Bearing, Ball 1.968x3.149x.629
14	18872	1	Ring, Retaining 3.156 Bore
15	17919	1	Ring, Retaining 1.969 Shaft
16	103879	1	Plug, Pipe 3/8
17	17912	1	Bearing, Needle 1.000x1.250x.750
18	11063	1	Bearing, Needle .75x1x.75

# FRAME

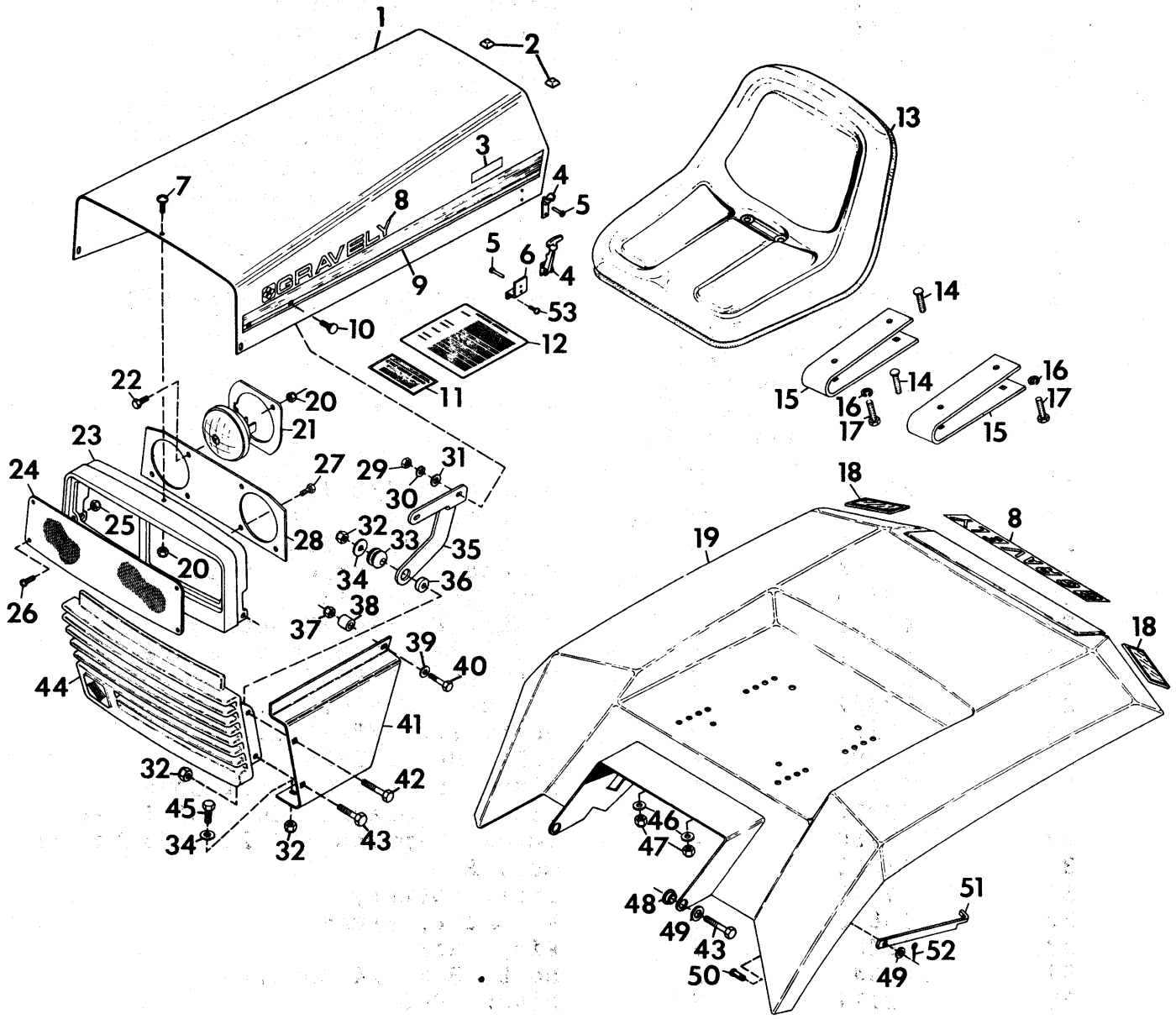


**FRAME**

ITEM NO.	PART NO.	QTY.	DESCRIPTION
1	180020	6	Bolt, Hex 1/4-20x.75
2	120392	4	Washer, Flat .281x.625x.065
3	32369	4	Nut, Retainer
4	14897	2	Moulding
5	22421	2	Bracket, Forward Tank
6	40141	2	Bracket, Fuel Tank
7	180018	24	Bolt, Hex 1/4-20x.625
8	419454	28	Nut Lock 1/4-20
9	40449	1	Brace, Instrument Panel L.H.
	40450	1	Brace, Instrument Panel R.H.
10	40548	1	Bracket, Instrument Panel
11	39827	1	Support, Instrument Panel
12	180177	2	Bolt, Hex 1/2-13x1.50
13	180024	2 (12, 17 and 19 HP)	Bolt, Hex 1/4-20x1.25
14	120386	2	Washer, Flat .312x.734x.065
15	34723	4 (16 HP) 2 (12, 17 and 19 HP)	Bushing, .259x.375x.25
16	24357	2 (12, 17 and 19 HP) 4 (16 HP)	Bumper, Seat
17	435507	2	Nut, Lock 1/2-13
18	24358	2	Bracket, Rear Hitch
19	180175	2	Bolt, Hex 1/2-13x1.25
20	40184	1	Bracket, Interlock Switch
21	120378	4	Nut, Hex 1/2-13
22	40183	2	Plate, Fwd-Rev Mounting
23	40207	1	Rod, Frame Extension Brace
24	456004	2	Nut, Lock 3/8-16
25	18362	1	Bracket, Fender Hold-Up
26	180124	2	Bolt, Hex 3/8-16x1.25
27	181700	4	Bolt, Hex 1/2-20x1.50
28	40140	1	Plate, Manual Control Cover
	39872	1	Plate, Hydraulic Control Cover
29	167260	4	Screw, Tapping 1/4-20x.625 Pan Hd
30	11058	4	Nut, Rim
31	39839	1	Tray, Battery
32	39818	1	Weldment, Frame
33	10405	2	Pin, Hair
34	180046	2	Bolt, Hex 1/4-20x2.25
35	12117	2	Pivot, Hood
36	20273	2	Ring, Retaining Int. Tooth 1.000 Shaft
37	10174	2	Bushing, Nylon .76x1.00x.76 Flange

NOTE: Items shown in circle pertain only to 16 HP units.

# HOOD AND REAR DECK



## HOOD AND REAR DECK

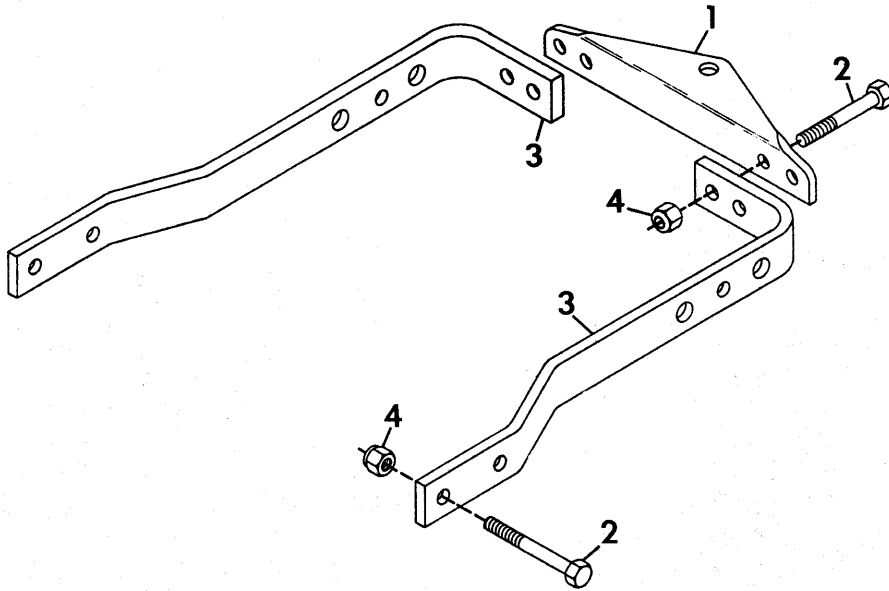
ITEM NO.	PART NO.	QTY.	DESCRIPTION
1	38674	1	Hood, Tractor
2	40176	2	Stop
3	40577	2	Decal, Model 8122-G
	40578	2	Decal, Model 8123-G
	40579	2	Decal, Model 8163-G
	40580	2	Decal, Model 8179-G
	40581	2	Decal, Model 8199-G
4	35294	2	Latch, Flexible
5	32661	6	Rivet, Dome Head
6	39828	2	Bracket, Hood Latch Mounting
7	160541	3	Screw, Machine 1/4-20 PHD
8	24608	3	Decal, Gravely Logo
9	38773	1	Decal, Side Stripe L.H. and R.H.
10	120518	4	Bolt, 1/4-20x.75 Rd Hd Sq Nk
11	11989	2	Decal, Electrical System Warning
12	40754	1	Decal, Maintenance
13	40227	1	Seat, High Back
14	126216	4	Bolt, Carriage 5/16-18x.75
15	38806	2	Spring, Seat
16	120214	4	Washer, Lock 5/16 Reg.
17	180077	4	Bolt, Hex 5/16-18x.75
18	17837	2	Reflector, Red Safety
19	40454	1 (12 and 16 HP)	Weldment, Seat Pan
	40453	1 (17 and 19 HP)	Weldment, Seat Pan Notched
20	419454	7	Nut, Lock 1/4-20
21	39070	2	Ring, Headlight Retainer
22	180022	4	Bolt, Hex 1/4-20x1.00
23	38673	1	Bezel, Headlight
24	38671	1	Panel, Headlight Lense
25	190254	4	Nut, Lock 10-24
26	159947	4	Screw, Machine 10-24x.75 PHD
27	411890	2	Screw, Tapping 1/4-20x.625 HHDST
28	38672	1	Panel, Headlight Reflector
29	120375	4	Nut, Hex 1/4-20
30	120380	4	Washer, Lock 1/4 Reg.
31	422845	4	Washer, Flat .281x.625x.065
32	456004	8	Nut, Lock 3/8-16
33	35518	2	Grommet
34	120388	6	Washer, Flat .438x1.000x.083
35	39047	1	Hinge, Hood L.H.
	39049	1	Hinge, Hood R.H.
36	36849	2	Spacer
37	419455	2	Nut, Lock 5/16-18
38	10908	2	Spacer, .375x.100x1.00
39	120393	2	Washer, Flat .344x.688x.065
40	180085	2	Bolt, Hex 5/16-18x1.75
41	39836	1	Panel, Side L.H.
	39835	1	Panel, Side R.H.
42	180130	2	Bolt, Hex 3/8-16x2.00
43	180122	4	Bolt, Hex 3/8-16x1.00



## HOOD AND REAR DECK

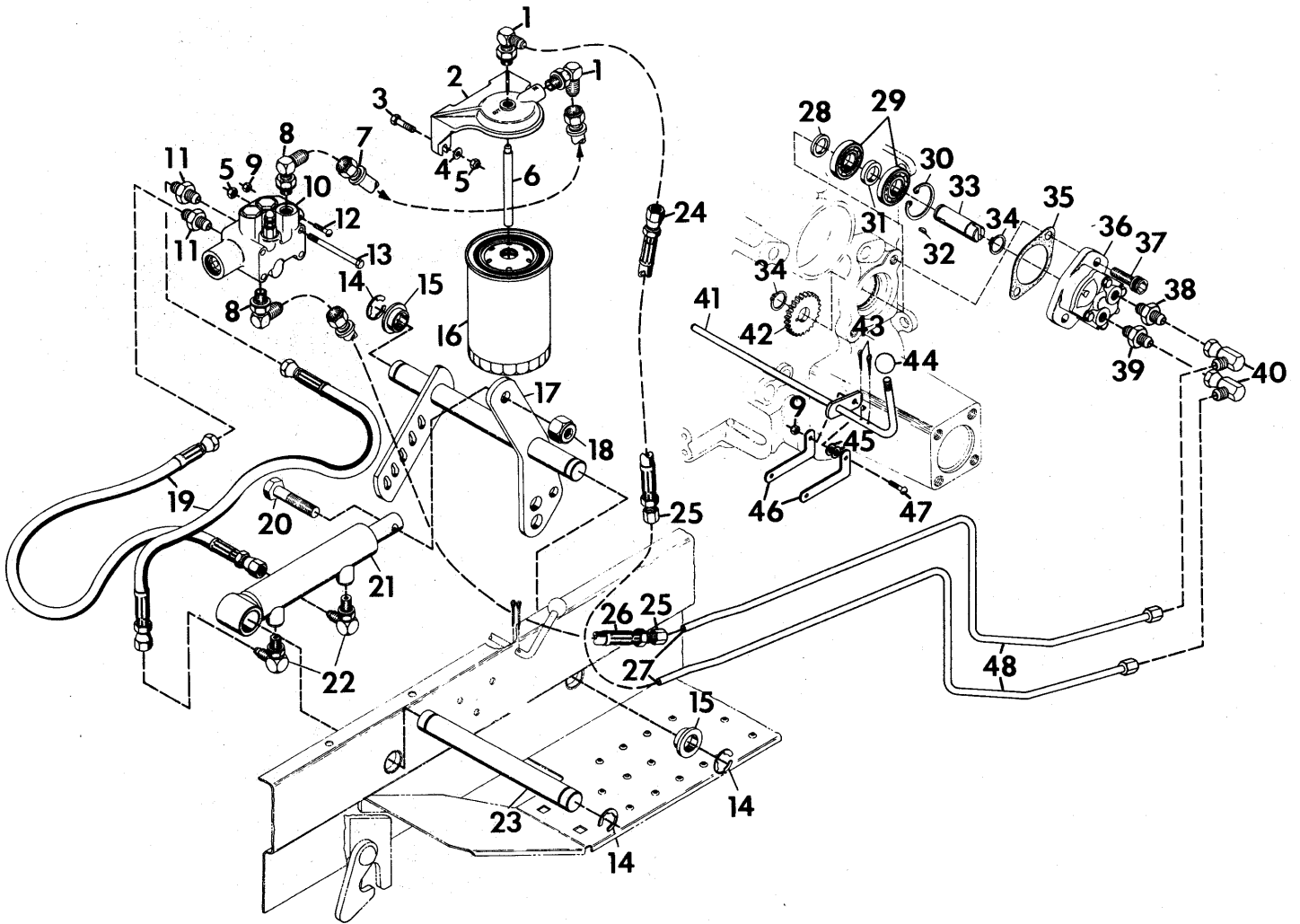
44	39831	1	Casting, Grille
45	180123	4	Bolt, Hex 3/8-16x1.125
46	446470	4	Washer, Flat .375x1.125x.065
47	413447	4	Nut, Lock 5/16-18
48	24815	2	Bushing, Rear Fender
49	120394	3	Washer, Flat .406x.812x.065
50	18420	1	Pin, Clevis .250x.406
51	24996	1	Strap, Fender Hold-Up
52	121223	1	Pin, Cotter .06x.75
53	163158	4	Screw, 8-18x.375 PHD CR
NS	40046	1	Decal, America

# REAR HITCH



ITEM NO.	PART NO.	QTY.	DESCRIPTION
1	19517	1	Plate, Hitch
2	180179	8	Bolt, Hex 1/2-13x1.75
3	20450	2	Arm, Rear Hitch
4	435507	8	Nut, Lock 1/2-13

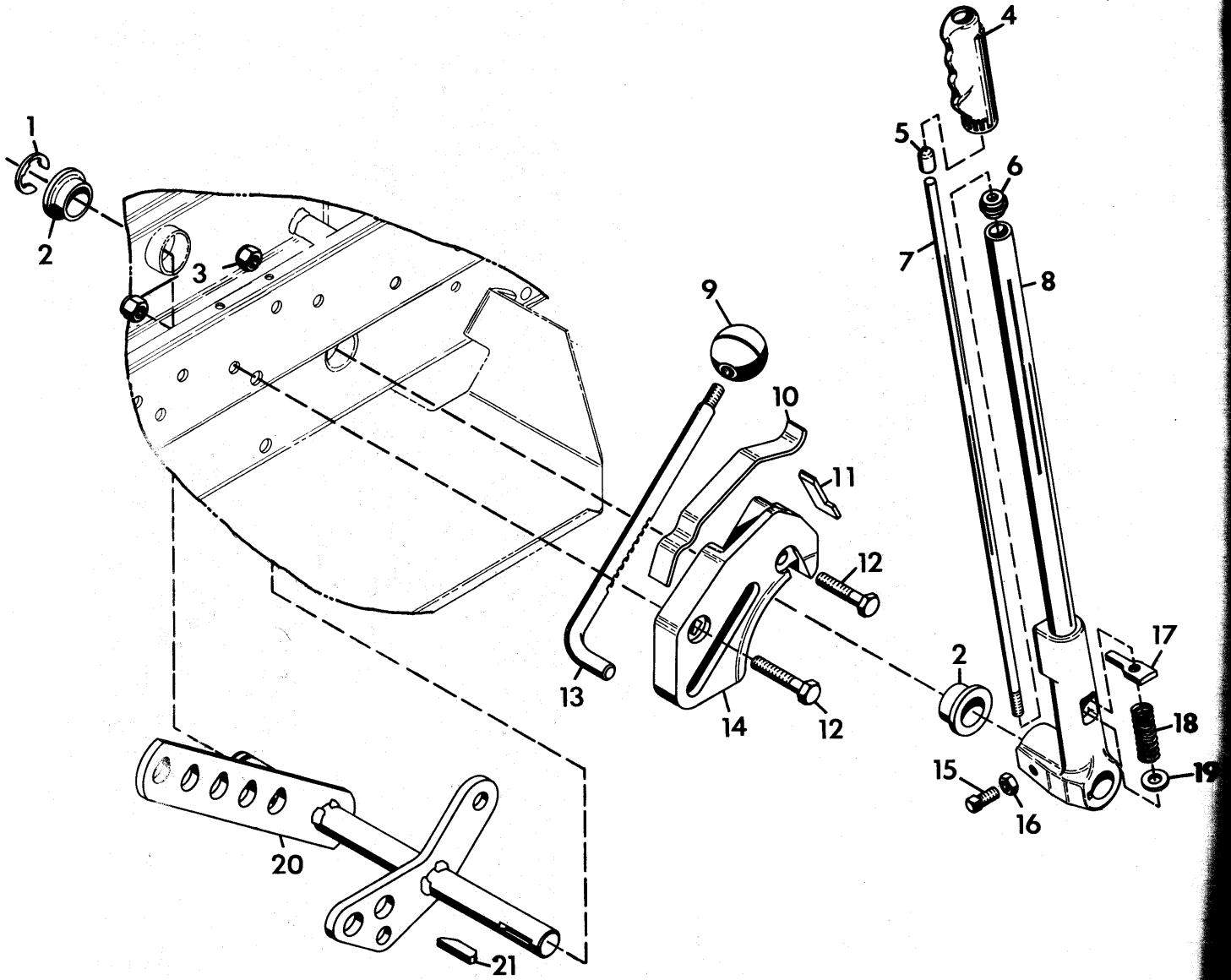
# HYDRAULIC SYSTEM



## HYDRAULIC SYSTEM

ITEM NO.	PART NO.	QTY.	DESCRIPTION
1	40723	2	Adapter
2	40259	1	Bracket, Oil Filter
3	180022	2	Bolt, Hex 1/4-20x1.00
4	120392	2	Washer, Flat .281x.625x.065
5	419454	6	Nut, Lock 1/4-20
6	40260	1	Tube, Oil Pick-Up
7	39847	1	Hose, Hydraulic Valve to Tank
8	18828	2	Adaptor (P-H #2503-6-6)
9	190254	2	Nut, Lock 10-24
10	18825	1	Valve, Hydraulic
11	21286	2	Adaptor (P-H #0503-4-4)
12	132852	1	Screw, Machine 10-24x1.25 Rd Hd
13	180050	4	Bolt, Hex 1/4-20x2.75
14	11112	4	E-Ring, 1.000 Shaft
15	18355	2	Bushing, Pivot
16	40172	1	Filter, Spin-On
17	18822	1	Weldment, Lift Lever Shaft
18	414074	1	Nut, Lock 1/2-13
19	18845	2	Hose, Hydraulic 14.5
20	180181	1	Bolt, Hex 1/2-13x2.00
21	31284	1	Cylinder, Hydraulic
22	18826	2	Adaptor (P-H #2503-4-4)
23	18830	1	Shaft, Hydraulic Cylinder
24	39849	1	Hose, Hydraulic
25	40823	2	Nut, Female Flareless
26	39848	1	Hose, Hydraulic Pump to Valve
27	40824	2	Sleeve, Female Flareless
28	18807	1	Spacer, .620x.750x.276
29	12626	2	Bearing, Ball .590x1.378x.433
30	18799	1	Ring, Retaining 1.378 Bore
31	18798	1	Spacer, .620x.750x.364
32	271089	1	Key, Woodruff .125x.375 Hard
33	18797	1	Shaft, Hydraulic Pump
34	18809	2	Ring, Retaining .594 Shaft
35	18422	1	Gasket, Cover Plate
36	18813	1	Pump, Hydraulic
37	426370	2	Screw, Cap 3/8-16 Hex Socket HD
38	23206	1	Adaptor
39	18817	1	Adaptor (P-H #0503-10-6)
40	18818	2	Adaptor (P-H #3903-6-6)
41	39833	1	Weldment, Rod Hydraulic Valve
42	18808	1	Gear, Hydraulic Pump
43	121222	2	Pin, Cotter .094x.75
44	11261	1	Knob, Adj. Control
45	446161	2	Washer, Flat .219x.438x.049
46	39846	2	Rod, Hydraulic Control
47	132848	1	Screw, Machine 10-24x1 Rd Hd
48	39838	2	Line, Hydraulic In

# MANUAL LIFT

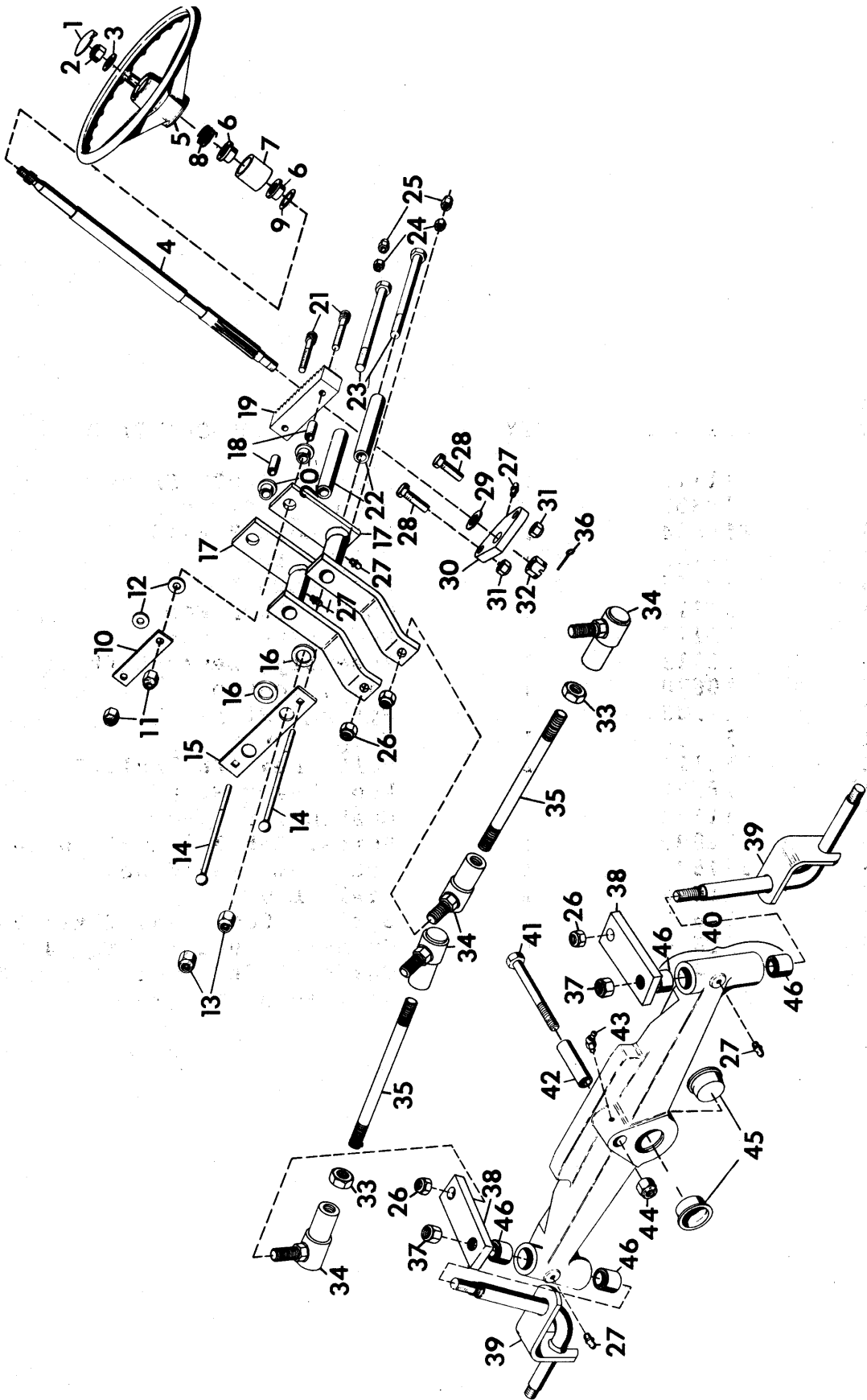


# MANUAL LIFT

ITEM NO.	PART NO.	QTY.	DESCRIPTION
1	11112	1	E-Ring, 1.000 Shaft
2	18355	2	Bushing, Pivot
3	456004	2	Nut, Lock 3/8-16
4	11119	1	Grip, Flex
5	19367	1	Tip, Push Rod
6	11117	1	Guide, Push Rod
7	11118	1	Rod, Lever Push
8	11113	1	Assembly, Lever Lift
9	10670	1	Knob, Control
10	11105	1	Spring, Stop
11	11106	1	Stop, Lever
12	180124	2	Bolt, Hex 3/8-16x1.25
13	18732	1	Rod, Lever Stop
14	11103	1	Casting, Locator
15	102896	1	Screw, Set 3/8-16x1.00 SHCP
16	124829	1	Nut, Jam 3/8-16 Hex
17	11116	1	Pawl, Lever
18	10682	1	Spring, Comp. 2x.720x15.5 lb/in
19	11670	1	Washer, Special Flat .45x.99x.10
20	18404	1	Shaft, Lift Lever Weldment
21	187184	1	Key, Woodruff .250x2.125 Soft

# STEERING

## MODELS 8122-G, 8123-G AND 8163-G



**STEERING**  
**MODELS 8122-G, 8123-G AND 8163-G**

ITEM NO.	PART NO.	QTY.	DESCRIPTION
1	31426	1	Cap, Steering Wheel
2	124847	1	Nut, Jam 5/8-11 Hex
3	131016	1	Washer, Flat .656x1.312x.095
4	35345	1	Shaft, Steering Wheel
5	24490	1	Wheel, Steering 8122
	31281	1	Wheel, Steering 8123 and 8163-B
6	10174	2	Bushing, Nylon .760x1.000x.600 Flange
7	40570	1	Bushing, Steering Wheel
8	20444	1	Spring, Compression 1x.80x36 Lb/In
9	20273	1	Ring, Retaining Int. Tooth 1.000 Shaft
10	21246	1	Strap, Rack and Pinion
11	456004	2	Nut, Lock 3/8-16
12	446470	2	Washer, Flat .375x1.125x.065
13	435507	2	Nut, Lock 1/2-13
14	34074	2	Bolt, 5/16-18x5.5 Rd Hd Sq Nk
15	21079	1	Plate, Adjustment
16	14998	2	Race, Bearing Thrust .752x1.240x.095
17	40130	2	Weldment, Steering
18	21076	2	Bushing, .391x.622x.670
19	21075	1	Gear, Rack
20	21077	2	Bearing, Flange (P/M Bronze)
21	454473	2	Screw, Cap 3/8-16x2.0 Hex Socket HD
22	21078	2	Sleeve, Pivot
23	443734	2	Bolt, Hex 1/2-13x6.0
24	120376	2	Nut, Hex 5/16-18
25	419455	2	Nut, Lock 5/16-18
26	192481	4	Nut, Lock 3/8-24
27	411027	5	Fitting, Lube 1/4-28
28	180149	2	Bolt, Hex 7/16-14x1.5
29	35344	1	Race, Thrust
30	35064	1	Support, Steering Shaft
31	39413	2	Nut, Lock 7/16-14
32	121592	1	Nut, Hex 1/2-13 Slotted
33	120369	4	Nut, Hex 3/8-24
34	21084	4	Ball Joint, Steering
35	40630	2	Rod, Steering
36	121224	1	Pin, Cotter .09x1.00
37	124589	2	Nut, Hex 5/8-11
38	40126	2	Arm, Tie Rod Axle
39	18463	2	Weldment, King Pin
40	39812	1	Axle
41	271781	1	Bolt, Hex 3/4-10x4.5
42	23237	1	Tube, Axle Pivot
43	411031	1	Fitting, Lube 45 Deg.
44	456007	1	Nut, Lock 3/4-10
45	18785	2	Cap, Front Axle
46	23241	4	Bushing, .877x1.004x1.0

ALSO 43359  
 @1.75 each

REPLACED 4 8/00

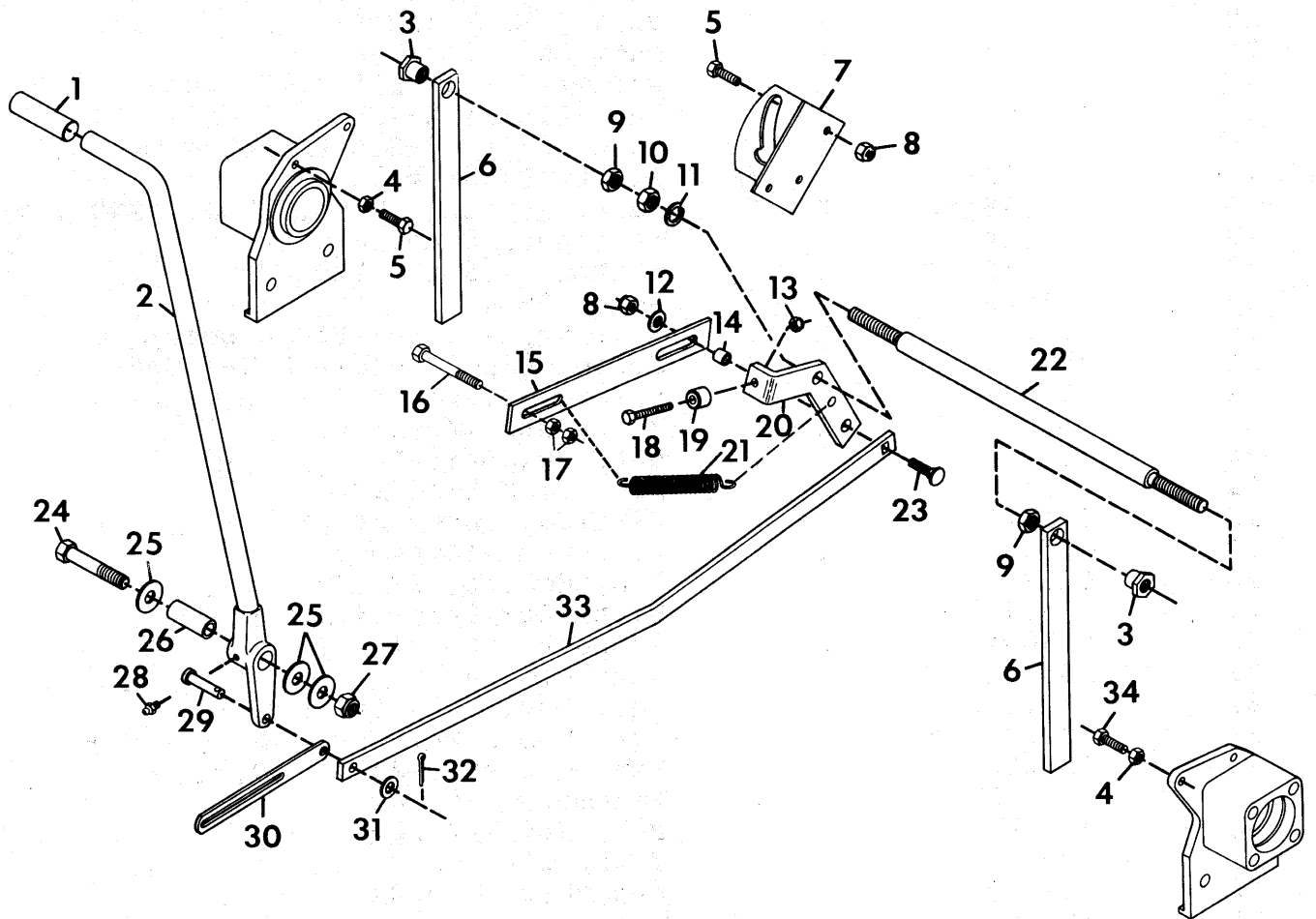




**STEERING  
MODELS 8179-G AND 8199-G**

ITEM NO.	PART NO.	QTY.	DESCRIPTION
1	31426	1	Cap, Steering Wheel
2	124847	1	Nut, Jam 5/8-11 Hex
3	131016	1	Washer, Flat .656x1.312x.095
4	35345	1	Shaft, Steering Wheel
5	31281	1	Wheel, Steering
6	20444	1	Spring, Comp. 1.00x.80x36 lb/in
7	10174	2	Bushing, Nylon .760x1.000x.600 Flange
8	40570	1	Bushing, Steering Wheel
9	20273	1	Ring, Retaining Int. Tooth 1.000 Shaft
10	21246	1	Strap, Rack and Pinion
11	456004	2	Nut, Lock 3/8-16
12	446470	2	Washer, Flat .375x1.125x.065
13	435507	2	Nut, Lock 1/2-13
14	34074	2	Bolt, 5/16-18x5.5 Rd Hd Sq Nk
15	21079	1	Plate, Adjustment
16	14998	2	Race, Bearing Thrust .752x1.240x.095
17	39814	2	Weldment, Steering
18	21076	2	Bushing, .391x.622x.670
19	21075	1	Gear, Rack
20	21077	2	Bearing, Flange (P/M Bronze)
21	454473	2	Screw, Cap 3/8-16x2.0 Hex Socket HD
22	21078	2	Sleeve, Pivot
23	443734	2	Bolt, Hex 1/2-13x6.0
24	120376	2	Nut, Hex 5/16-18
25	419455	2	Nut, Lock 5/16-18
26	411027	5	Fitting, Lube 1/4-28
27	125233	4	Nut, Hex Slotted 3/8-24
28	121222	4	Pin, Cotter .09x.75
29	180149	2	Bolt, Hex 7/16-14x1.5
30	35064	1	Support, Steering Shaft
31	35344	1	Race, Thrust
32	39413	2	Nut, Lock 7/16-14
33	121592	1	Nut, Hex 1/2-13 Slotted
34	121224	1	Pin, Cotter .09x1.00
35	21668	2	Assembly, Rod End
36	124934	2	Nut, Jam 1/2-20
37	40116	2	Tube, Tie Rod
38	21669	2	Assembly, Rod End
39	120388	2	Washer, Flat .438x1.000x.083
40	124589	2	Nut, Hex 5/8-11
41	190139	2	Nut, Lock 5/16-24
42	31270	2	Arm, Tie Rod Axle
43	181618	2	Bolt, Hex 5/16-24x1.75
44	23241	4	Bushing, .877x1.004x1.0
45	18463	2	Weldment, King Pin
46	271781	1	Bolt, Hex 3/4-10x4.5
47	23237	1	Tube, Axle Pivot
48	411031	1	Fitting, Lube 45 Deg.
49	456007	1	Nut, Lock 3/4-10
50	18785	2	Cap, Front Axle
51	39812	1	Axle

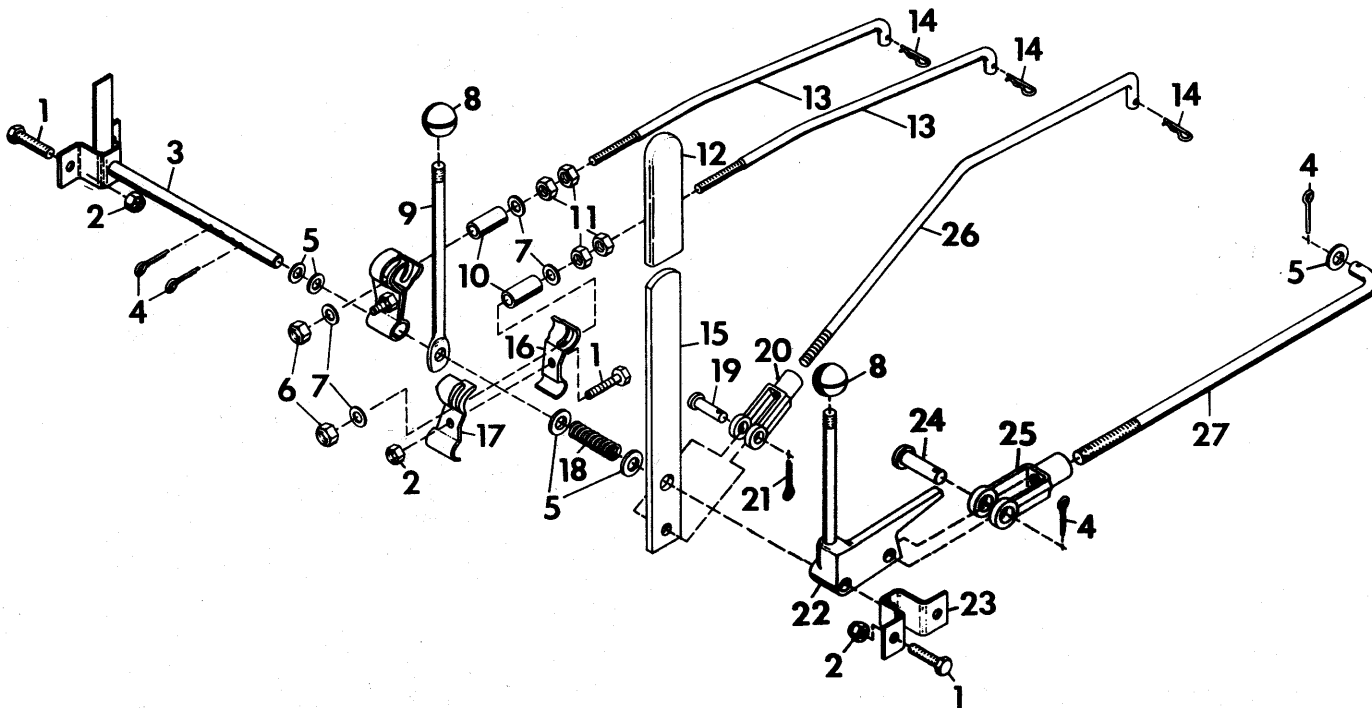
# DIRECTION CONTROL



# DIRECTION CONTROL

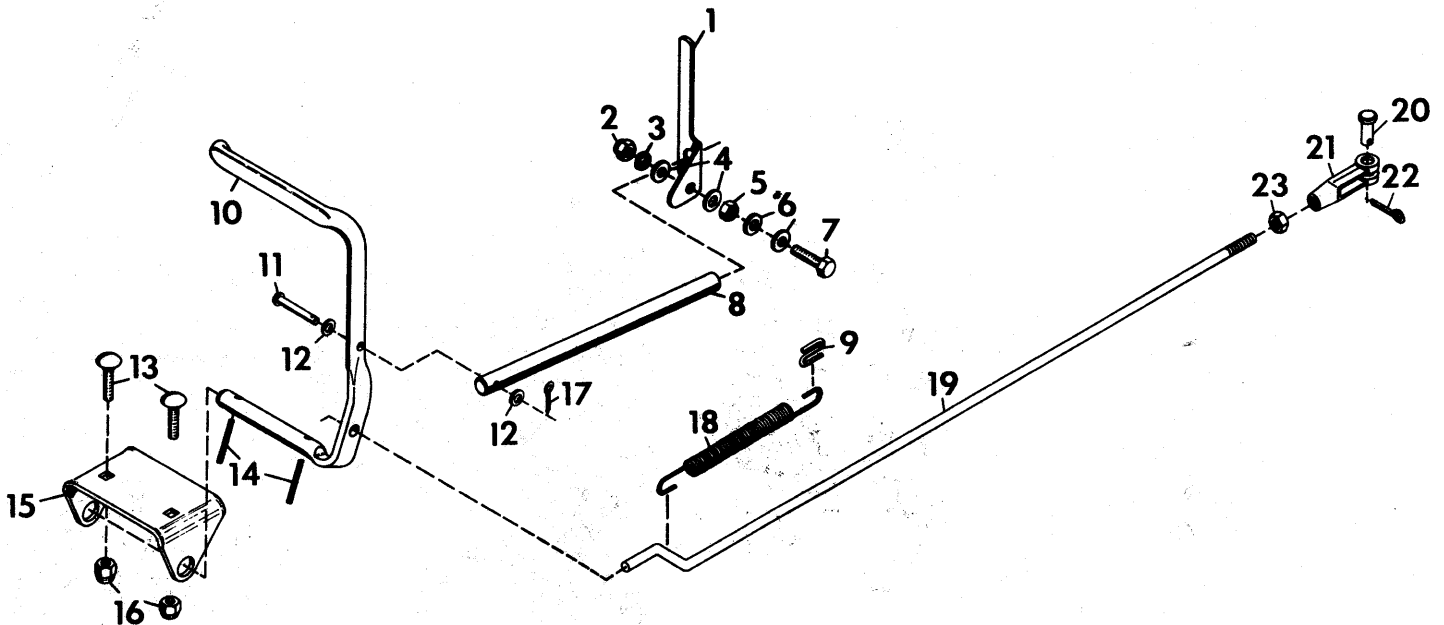
ITEM NO.	PART NO.	QTY.	DESCRIPTION
1	24452	1	Grip, Handle
2	39832	1	Lever, Fwd-Rev
3	40305	2	Bushing, Fwd-Rev Slide Rod
4	120376	2	Nut, Hex 5/16-18
5	180079	4	Bolt, Hex 5/16-18x1.00 <i>23 AS GOLDEN EARLE</i>
6	34715	2	Spring, Fwd-Rev Clutch <i>31-60 NEW ALEY</i>
7	39823	1	Weldment, Fwd-Rev Actuating
8	419455	4	Nut, Lock 5/16-18
9	120238	2	Nut, Jam 1/2-13 Hex
10	120378	1	Nut, Hex 1/2-13
11	131101	1	Washer, Lock 1/2 SP Heavy
12	120393	1	Washer, Flat .344x.688x.065
13	454750	1	Nut, Lock 1/4-28
14	40360	1	Bushing, Fwd-Rev Linkage
15	39843	1	Strap, Neutral Detent
16	180132	1	Bolt, Hex 3/8-16x2.25
17	120377	2	Nut, Hex 3/8-16
18	40811	1	Bolt, Hex 1/4-28x1.25 Gr. 8
19	39842	1	Roller, Clutch Cam
20	39841	1	Arm, Fwd-Rev Clutch Roll
21	39844	1	Spring, Neutral Detent
22	39840	1	Rod, Fwd-Rev Slide
23	120230	1	Bolt, 5/16-18x1.25 Rd Hd Sq Nk
24	180188	1	Bolt, Hex 1/2-13x2.75
25	120390	3	Washer, Flat .563x1.375x.109
26	11074	1	Bushing, .505x.74x1.438
27	414074	1	Nut, Lock 1/2-13
28	411027	1	Fitting, Lube 1/4-28
29	138078	1	Pin, Clevis .375x.948
30	39867	1	Strap, Neutral Return
31	120394	1	Washer, Flat .406x.812x.065
32	121222	1	Pin, Cotter .09x.75
33	39837	1	Link, Fwd-Rev Shifter
34	180081	1	Bolt, Hex 5/16-18x1.25

## TRANSMISSION CONTROLS



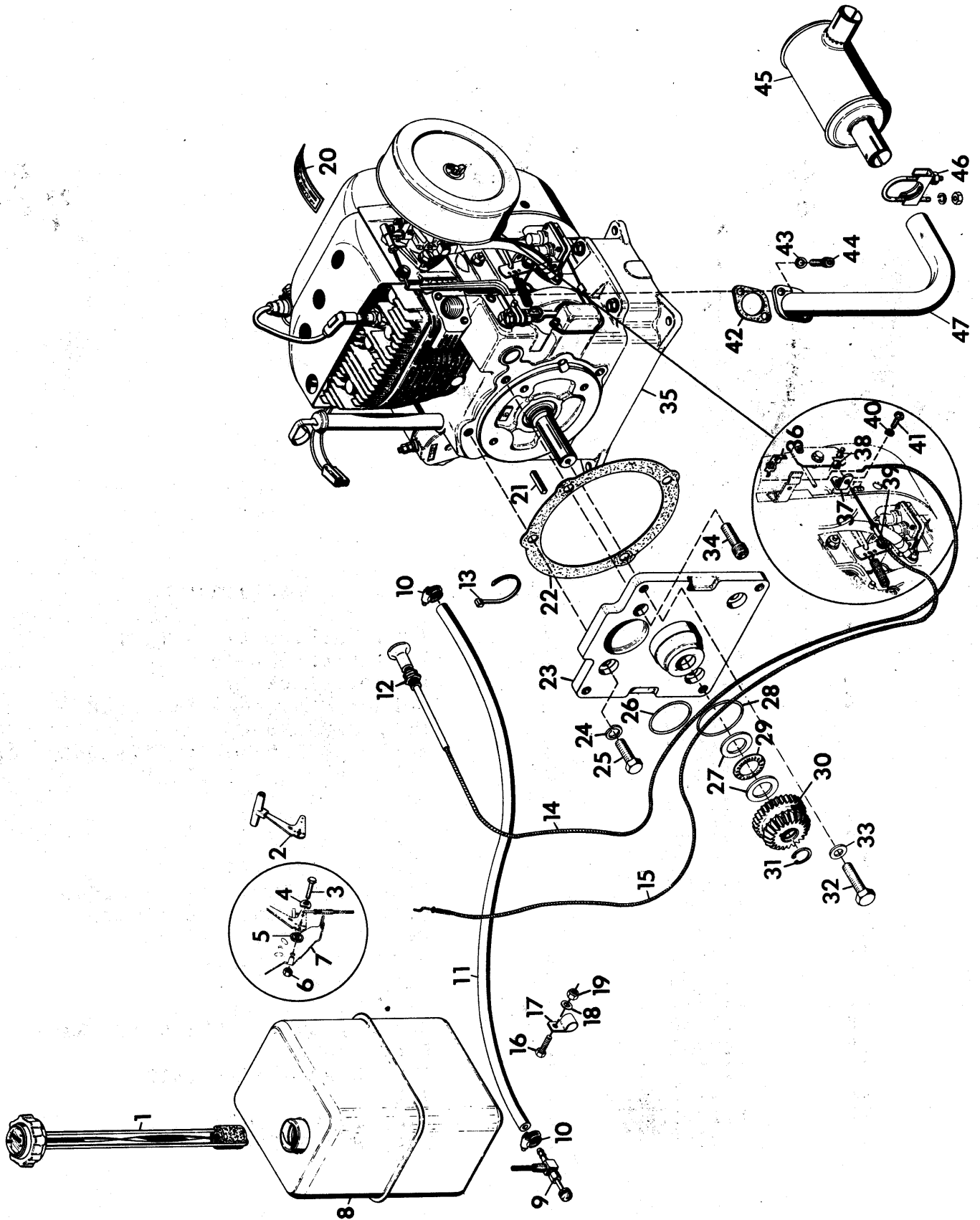
ITEM NO.	PART NO.	QTY.	DESCRIPTION
1	180077	6	Bolt, Hex 5/16-18x.75
2	419455	6	Nut, Lock 5/16-18
3	33995	1	Weldment, Cross Shaft
4	137185	4	Pin, Cotter .12x1.0
5	120396	5	Washer, Flat .531x1.06x.095
6	456004	2	Nut, Lock 3/8-16
7	120388	4	Washer, Flat .438x1.00x.083
8	10670	2	Knob, Control
9	18371	1	Lever, Shift
10	33986	2	Bushing, .400x.500x1.65
11	124829	4	Nut, Jam 3/8-16
12	34067	1	Grip, Handle
13	33994	2	Rod, Shift
14	11860	3	Pin, Cotter Hair
15	33990	1	Lever, Hi-Lo Shift
16	33988	2	Arm, Shifter R.H.
17	33989	2	Arm, Shifter L.H.
18	18372	1	Spring, Compression
19	138078	1	Pin, Clevis .375x.948
20	18380	1	Clevis, 3/8-24 Adjustable
21	121222	1	Pin, Cotter .09x.75
22	34065	1	Assembly, PTO Control
23	11096	1	Bracket, Cross Shaft
24	138086	1	Pin, Clevis .500x1.213
25	18387	1	Yoke, 1/2-20 Adjustable
26	40143	1	Rod, 2-Speed
27	18386	1	Rod, PTO

# BRAKE LINKAGE



ITEM NO.	PART NO.	QTY.	DESCRIPTION
1	20772	1	Arm, Parking Brake Lock
2	413534	1	Nut, Lock 3/8-16
3	120382	1	Washer, Lock 3/8
4	20775	2	Washer, Nylon .375x.75x.06
5	124829	1	Nut, Jam 3/8-16 Hex
6	120394	2	Washer, Flat .406x.812x.065
7	180124	1	Bolt, Hex 3/8-16x1.25
8	20773	1	Rod
9	11329	1	Clip, Spring
10	11009	1	Pedal, Brake
11	417923	1	Pin, Clevis .25x1.50
12	120392	2	Washer, Flat .281x.625x.065
13	126227	2	Bolt, Carriage 3/8-16x.75
14	454668	2	Pin, Spring .187x1.25
15	11021	1	Bracket, Brake Pedal
16	456004	2	Nut, Lock 3/8-16
17	121223	1	Pin, Cotter .06x.75
18	11263	1	Spring, Ext. 5.50x.50x20 Rate
19	40731	1	Rod, Brake
20	121741	1	Pin, Clevis 5/16x.812
21	34733	1	Yoke
22	121222	1	Pin, Cotter .09x.75
23	120368	1	Nut, Hex 5/16-24

# FUEL AND EXHAUST SYSTEM MODELS 8122-G AND 8123-G

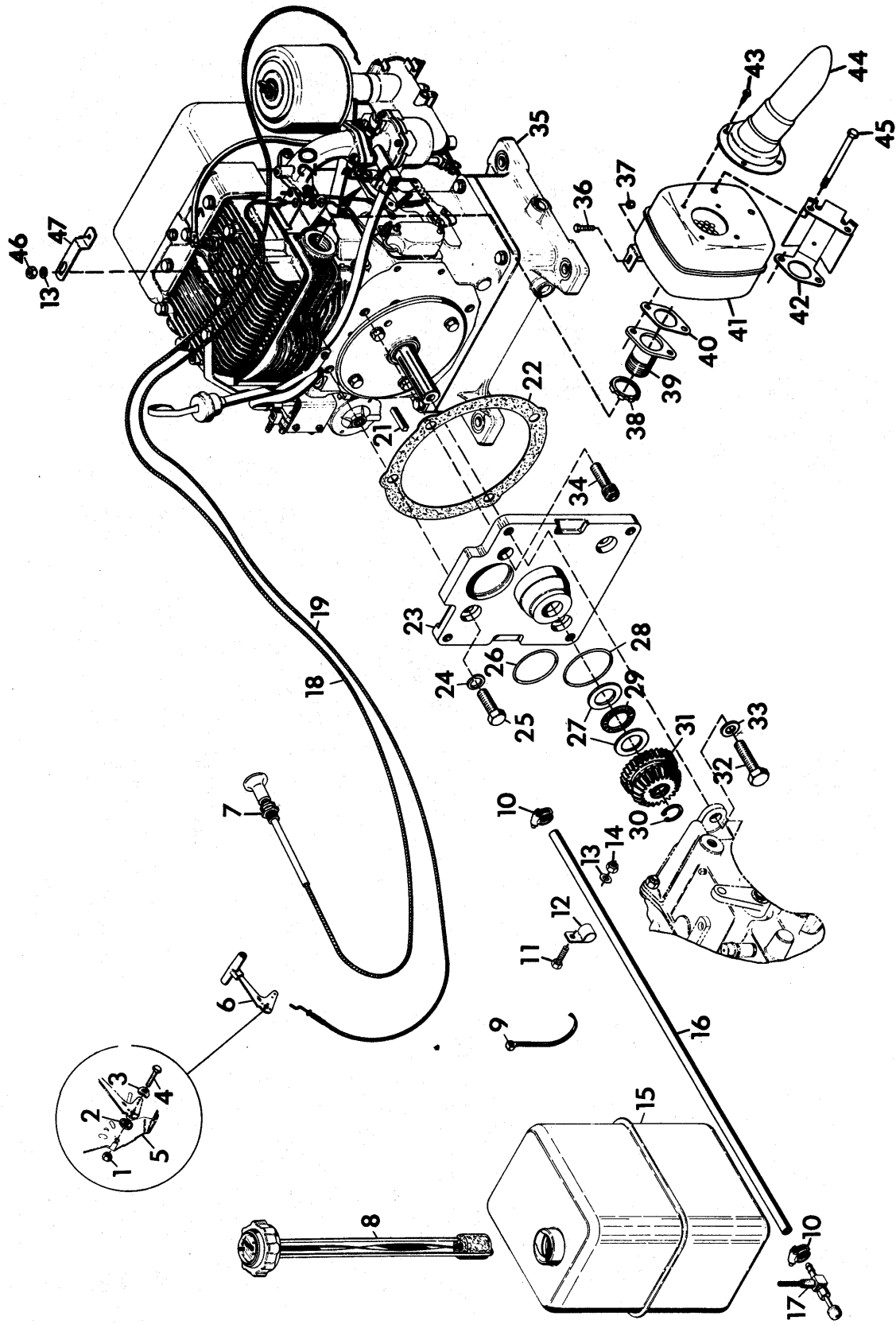


**FUEL AND EXHAUST SYSTEM  
MODELS 8122-G AND 8123-G**

ITEM NO.	PART NO.	QTY.	DESCRIPTION
1	21415	1	Gauge, Gas
2	11773	1	Assembly, Knob and Lever
3	181566	1	Bolt, Hex 1/4-28x.75
4	11774	1	Washer, Spring
5	11772	1	Washer, Friction
6	416430	1	Nut, Lock 1/4-28
7	11770	1	Bracket, Mounting
8	40620	1	Tank, Fuel
9	18563	1	Valve, Fuel 90 Deg. Reverse Flow
10	32045	2	Clamp, Hose
11	21134	6 ft.	Line, Fuel
12	124925	1	Nut, Jam 3/8-24
13	10629	5	Tie, Cable
14	40133	1	Control, Choke
15	18509	1	Assembly, Throttle Conduit
16	180079	1	Bolt, Hex 5/16-18x1.00
17	35313	1	Clamp, Nylon
18	120393	1	Washer, Flat .344x.688x.065
19	419455	1	Nut, Lock 5/16-18
20	10862	1	Decal, Air Cleaner Instruction
21	18345	1	Key, Square .250x1.250
22	18340	1	Gasket, Adaptor
23	40776	1	Adaptor, Engine
24	131100	3	Washer, Lock 7/16 SP Heavy
25	180146	3	Bolt, Hex 7/16-14x1.125
26	18347	1	O-Ring, 2.500x2.750x.125
27	40758	2	Race, Bearing Thrust 1.125x1.750x.123/.126
28	18346	1	O-Ring, 3.000x3.188x.094
29	18341	1	Bearing, Thrust 1.127x1.740x.078
30	18343	1	Gear, Spur and Bevel, Input
31	18344	1	Ring, Retaining 1.125 Shaft
32	180175	4	Bolt, Hex 1/2-13x1.25
33	120384	4	Washer, Lock 1/2 Reg.
34	421648	1	Screw, Cap 7/16-14x1.0 Socket Head
35	40399	1	Engine, 12 HP Electric 4-Wheel
36	7331	2	Clip, Speed
37	18522	1	Bracket
38	120375	1	Nut, Hex 1/4-20
39	18521	1	Adapter, Conduit
40	120380	1	Washer, Lock 1/4 Reg.
41	160515	1	Screw, Mach. 1/4-20x.5 Pan HD
42	11202	1	Gasket, Exhaust
43	120214	2	Washer, Lock 5/16 Reg.
44	421705	2	Screw, Cap 5/16-18x.75 Socket HD
45	18543	1	Muffler, Exhaust
46	14728	1	Clamp, Muffler
47	19492	1	Header, Exhaust
NS	411893	2	Nut, Lock 10-32
NS	160046	2	Screw, Machine 10-32x.50 PHD



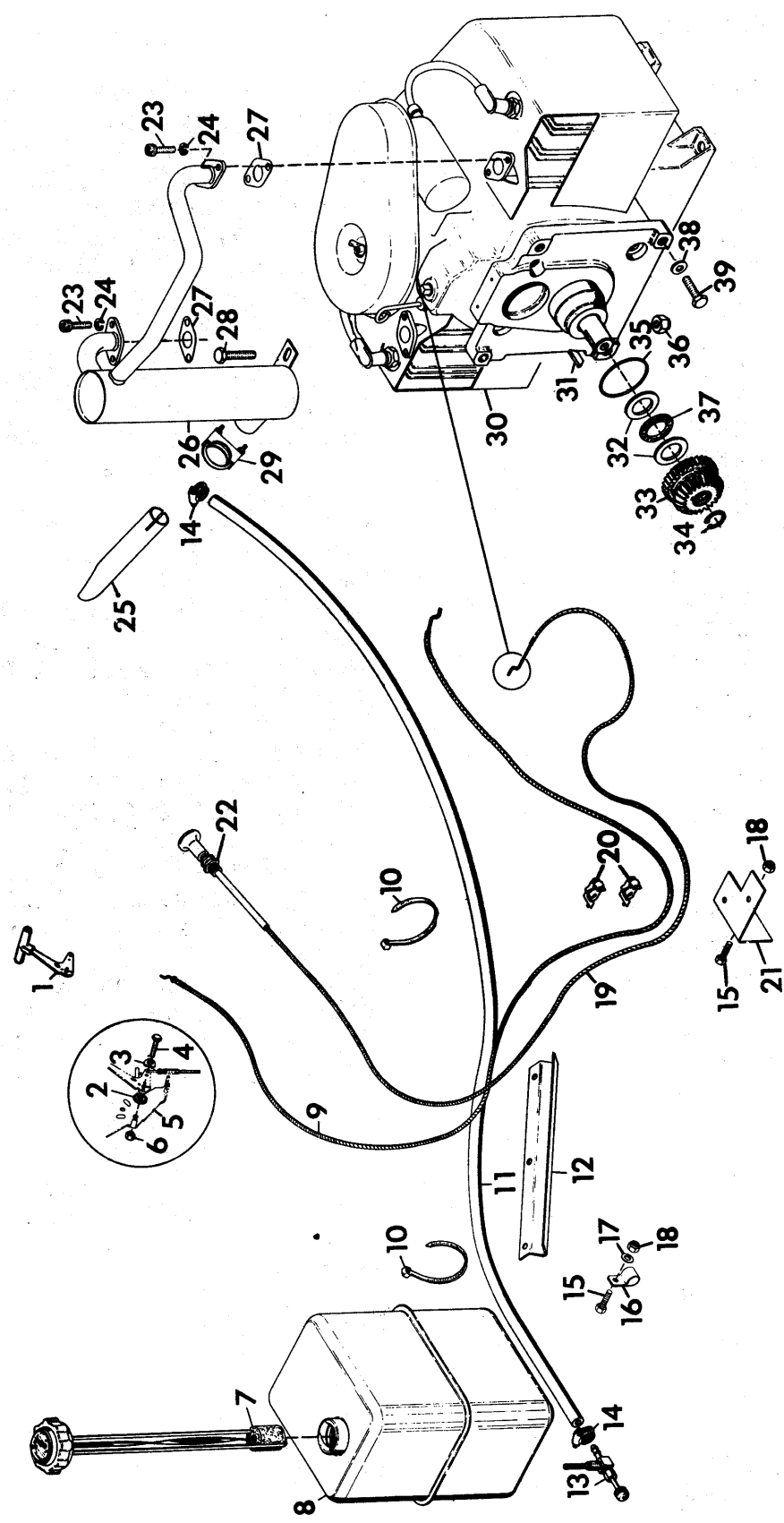
# FUEL AND EXHAUST SYSTEM MODEL 8163-G



**FUEL AND EXHAUST SYSTEM  
MODEL 8163-G**

ITEM NO.	PART NO.	QTY.	DESCRIPTION
1	416430	1	Nut, Lock 1/4-28
2	11772	1	Washer, Friction
3	11774	1	Washer, Spring
4	181566	1	Bolt, Hex 1/4-28x.75
5	11770	1	Bracket, Mounting
6	11773	1	Assembly, Knob and Lever
7	124925	1	Nut, Jam 3/8-24 Hex
8	21415	1	Gauge, Gas
9	10629	5	Tie, Cable
10	32045	2	Clamp, Hose
11	180079	1	Bolt, Hex 5/16-18x1.00
12	35313	1	Clamp, Nylon
13	120393	2	Washer, Flat .344x.688x.065
14	419455	1	Nut, Lock 5/16-18
15	40620	1	Tank, Fuel
16	21134	6 ft.	Line, Fuel
17	18563	1	Valve, Fuel 90 Deg. Reverse Flow
18	40161	1	Control, Choke
19	20942	1	Assembly, Throttle Conduit
20	20941	2	Nut, Plastic Conduit
21	18345	1	Key, Square .250x1.250
22	18340	1	Gasket, Adaptor
23	40776	1	Adaptor, Engine
24	131100	3	Washer, Lock 7/16 SP Heavy
25	180146	3	Bolt, Hex 7/16-14x1.125
26	18347	1	O-Ring, 2.500x2.750x.125
27	40758	2	Race, Bearing Thrust 1.125x1.750x.123/.126
28	18346	1	O-Ring, 3.000x3.188x.094
29	18341	1	Bearing, Thrust 1.127x1.740x.078
30	18344	1	Ring, Retaining 1.125 Shaft
31	18343	1	Gear, Spur and Bevel, Input
32	180175	4	Bolt, Hex 1/2-13x1.25
33	120384	4	Washer, Lock 1/2 Reg.
34	421648	1	Screw, Cap 7/16-14x1.0 Socket Head
35	20559	1	Engine, 16 HP B&S
36	180120	1	Bolt, Hex 1/4-20x.75
37	424215	1	Nut, Lock 1/4-20
38	10866	1	Nut, Conduit 1" Pipe
39	40763	1	Weldment, Muffler Adaptor
40	40766	1	Gasket
41	40765	1	Muffler
42	40764	1	Shield, Muffler
43	40762	4	Screw, Tapping
44	40831	1	Deflector, Exhaust
45	40767	2	Bolt, Hex Shoulder
46	120376	1	Nut, Hex 5/16-18
47	40830	1	Bracket, Muffler
NS	411893	2	Nut, Lock 10-32
NS	160046	2	Screw, Machine 10-32x.50 PHD
NS	40834	1	Stud, Muffler

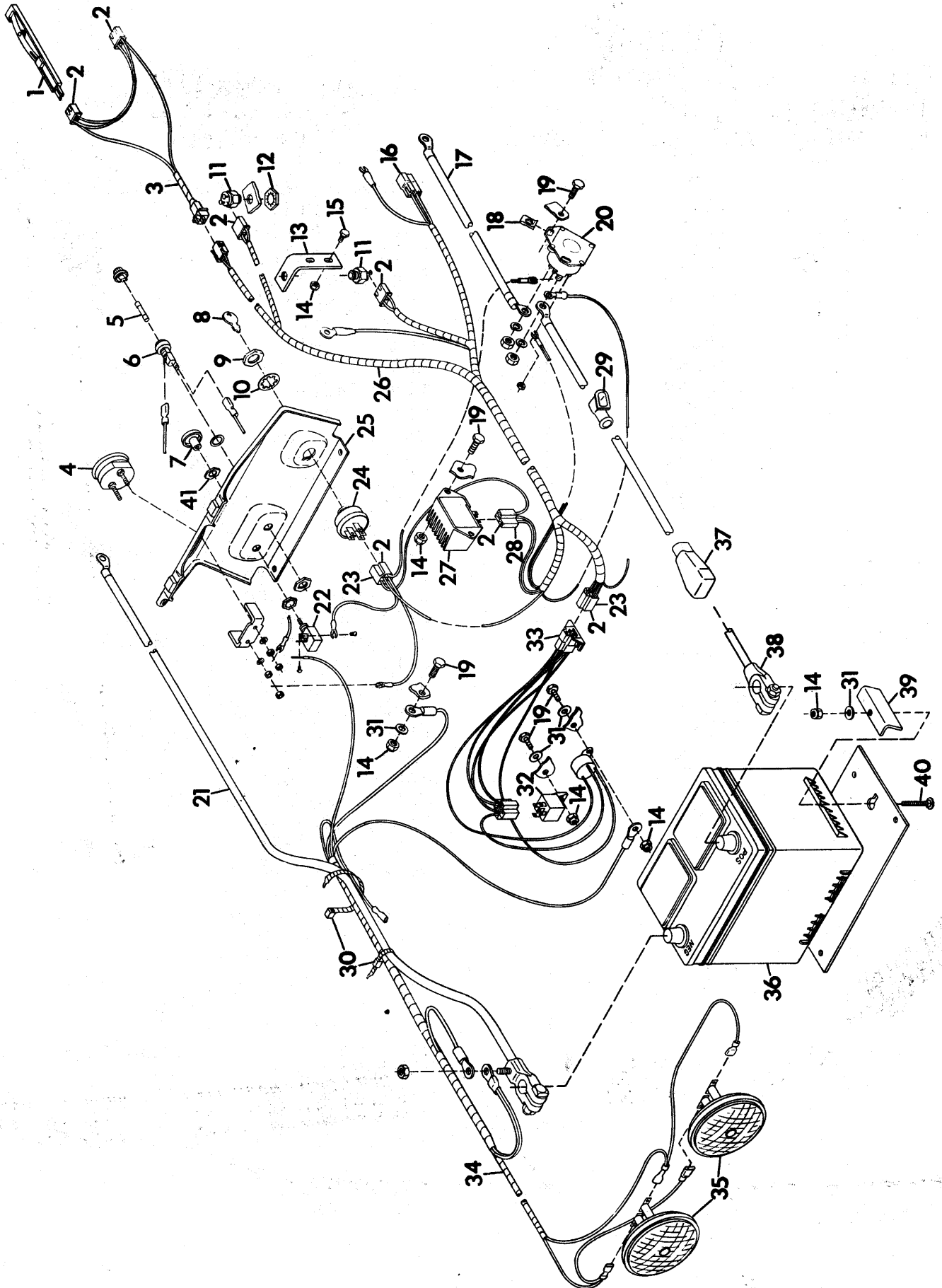
# FUEL AND EXHAUST SYSTEM MODELS 8179-G AND 8199-G



**FUEL AND EXHAUST SYSTEM  
MODELS 8179-G AND 8199-G**

ITEM NO.	PART NO.	QTY.	DESCRIPTION
1	11773	1	Assembly, Knob and Lever
2	11772	1	Washer, Friction
3	11774	1	Washer, Spring
4	181566	1	Bolt, Hex 1/4-20x.75
5	11770	1	Bracket, Mounting
6	416430	1	Nut, Lock 1/4-28
7	21415	1	Gauge, Gas
8	40620	1	Tank, Fuel
9	20565	1	Assembly, Choke Conduit
10	10629	5	Tie, Cable
11	21134	6 ft.	Line, Fuel
12	32030	1	Shield, Heat
13	18563	1	Valve, Fuel 90 Deg. Reverse Flow
14	32045	2	Clamp, Hose
15	180079	2	Bolt, Hex 5/16-18x1.00
16	35313	1	Clamp, Nylon
17	120393	1	Washer, Flat .343x.688x.065
18	419455	2	Nut, Lock 5/16-18
19	39859	1	Control, Choke
20	7331	2	Clip, Speed
21	40448	1	Bracket, Throttle and Choke
22	124925	1	Nut, Jam 3/8-24 Hex
23	421705	4	Screw, Cap 5/16-18x.75 Socket HD
24	120214	4	Washer, Lock 5/16 Reg.
25	32274	1	Extension, Pipe
26	31452	1	Muffler, Exhaust
27	11202	2	Gasket, Exhaust
28	180124	1	Bolt, Hex 3/8-16x1.25
29	31720	1	Clamp, Muffler
30	40400	1	Engine, 17-HP Electric 4-Wheel
	37513	1	Engine, 19-HP Kohler Twin
31	18345	1	Key, Square .250x1.250
32	40758	2	Race, Bearing Thrust 1.125x1.750x .123/.126
33	18343	1	Gear, Spur and Bevel, Input
34	18344	1	Ring, Retaining 1.125 Shaft
35	18346	1	O-Ring, 3.000x3.188x.094
36	456004	1	Nut, Lock 3/8-16
37	18341	1	Bearing, Thrust 1.127x1.740x.078
38	120384	4	Washer, Lock 1/2 Reg.
39	180175	4	Bolt, Hex 1/2-13x1.25
NS	411893	2	Nut, Lock 10-32
NS	160046	2	Screw, Machine 10-32x.50 PHD

# ELECTRICAL SYSTEM MODELS 8122-G AND 8123-G



**ELECTRICAL SYSTEM  
MODELS 8122-G AND 8123-G**

*New Alexandria Tractor  
Supp.*

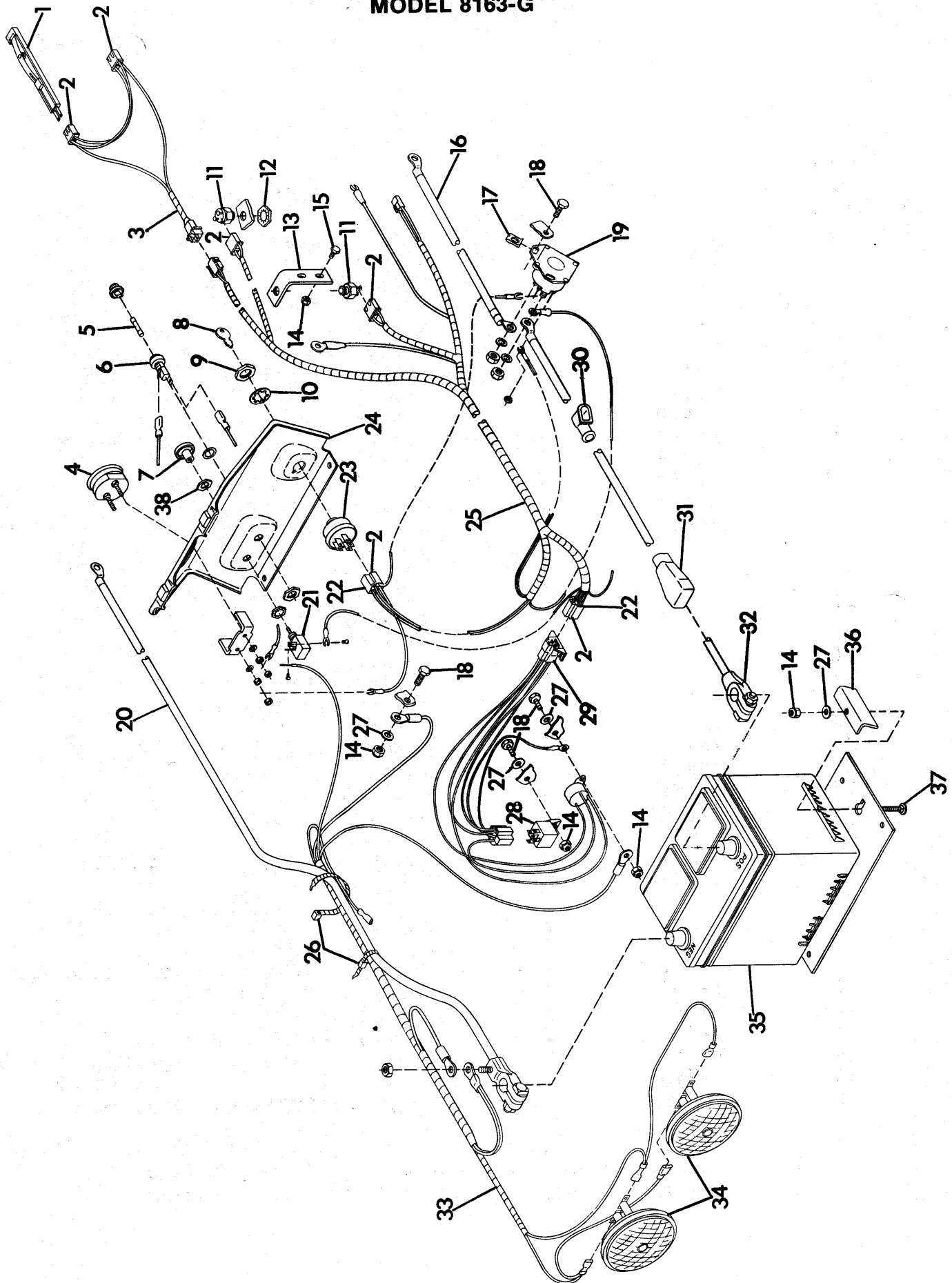
119

(724-668-2000)

ITEM NO.	PART NO.	QTY.	DESCRIPTION
1	35062	2	Switch, Seat
2	38059	19	Terminal
3	40455	1	Harness, Wiring Seat Switch
4	21848	1	Gauge, Ammeter
5	14893	1	Fuse, 30 Amp AGC 30
6	21416	1	Fuse, Panel
7	38186	1	Knob, Light Switch
8	18570	1	Key, Ignition Switch
9	19666	1	Nut, Jam 9/16-24
10	19667	1	Washer, Lock 9/16 Int. Tooth
11	20916	2	Switch, Interlock
12	107354	1	Nut, Stamped 9/16-18
13	20660	1	Bracket, Switch
14	419454	9	Nut, Lock 1/4-20
15	180018	2	Bolt, Hex 1/4-20x.625
16	38057	1	Connector
17	40135	1	Cable, Starter
18	11676	2	Nut, Speed 1/4-20
19	180020	7	Bolt, Hex 1/4-20x.75
20	7277	1	Switch, Magnetic
21	39871	1	Cable, Negative Battery
22	11337	1	Switch, Light
23	38058	2	Connector
24	19223	1	Switch, Ignition
25	39853	1	Panel, Instrument
26	40134	1	Harness, Wiring
27	18009	1	Regulator, Rectifier
28	38800	1	Connector
29	33847	3	Boot, Battery Cable
30	10629	5	Tie, Cable
31	120392	5	Washer, Flat .281x.625x.065
32	40216	1	Relay
33	40215	1	Module, Time Delay
34	40456	1	Harness, Wiring Ground and Light
35	39069	2	Headlight
36	37764	1	Battery, 12 Volt
37	34466	1	Cover, Battery Terminal
38	39861	1	Cable, Battery to Magnetic Switch
39	37742	2	Clamp
40	126342	2	Bolt, 1/4-20x1.75 Rd Hd Sq Nk
41	18587	1	Nut, Special Light Switch
NS	121753	3	Washer, Lock 1/4 Ext. Tooth Type A

NOTE: See the Operator's Manual for Wiring Diagram.

**ELECTRICAL SYSTEM  
MODEL 8163-G**



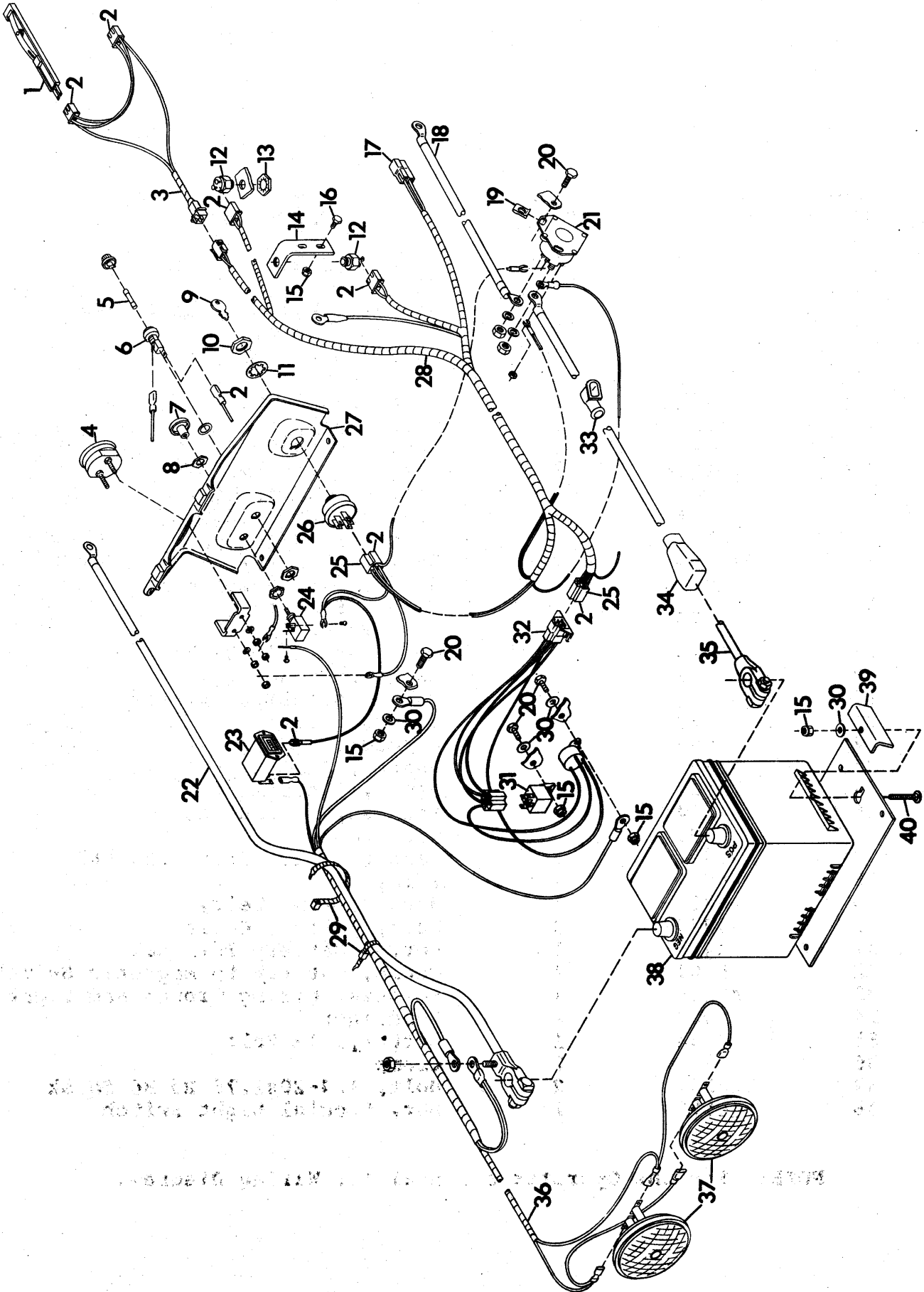
**ELECTRICAL SYSTEM  
MODEL 8163-G**

ITEM NO.	PART NO.	QTY.	DESCRIPTION
1	35062	2	Switch, Seat
2	38059	15	Terminal
3	40455	1	Harness, Wiring Seat Switch
4	21848	1	Gauge, Ammeter
5	14893	1	Fuse, 30 Amp AGC 30
6	21416	1	Fuse, Panel
7	38186	1	Knob, Light Switch
8	18570	1	Key, Ignition Switch
9	19666	1	Nut, Jam 9/16-24
10	19667	1	Washer, Lock Int. Tooth
11	20916	2	Switch, Interlock
12	107354	1	Nut, Stamped 9/16-18
13	20660	1	Bracket, Switch
14	419454	7	Nut, Lock 1/4-20
15	180018	2	Bolt, Hex 1/4-20x.625
16	40135	1	Cable, Starter
17	11676	2	Nut, Speed 1/4-20
18	180020	5	Bolt, Hex 1/4-20x.75
19	7277	1	Switch, Magnetic
20	39871	1	Cable, Negative Battery
21	11337	1	Switch, Light
22	38058	2	Connector
23	19223	1	Switch, Ignition
24	39853	1	Panel, Instrument
25	40174	1	Harness, Wiring B&S
26	10629	5	Tie, Cable
27	120392	5	Washer, Flat .281x.625x.065
28	40216	1	Relay
29	40313	1	Module, Time Delay
30	33847	3	Boot, Battery Cable
31	34466	1	Cover, Battery Terminal
32	39861	1	Cable, Battery to Magnetic Switch
33	40456	1	Harness, Wiring Ground and Lights
34	39069	2	Headlight
35	37764	1	Battery, 12 Volt
36	37742	2	Clamp
37	126342	2	Bolt, 1/4-20x1.75 Rd Hd Sq Nk
38	18587	1	Nut, Special Light Switch

**NOTE: See the Operator's Manual for Wiring Diagram.**



**ELECTRICAL SYSTEM  
MODELS 8179-G AND 8199-G**

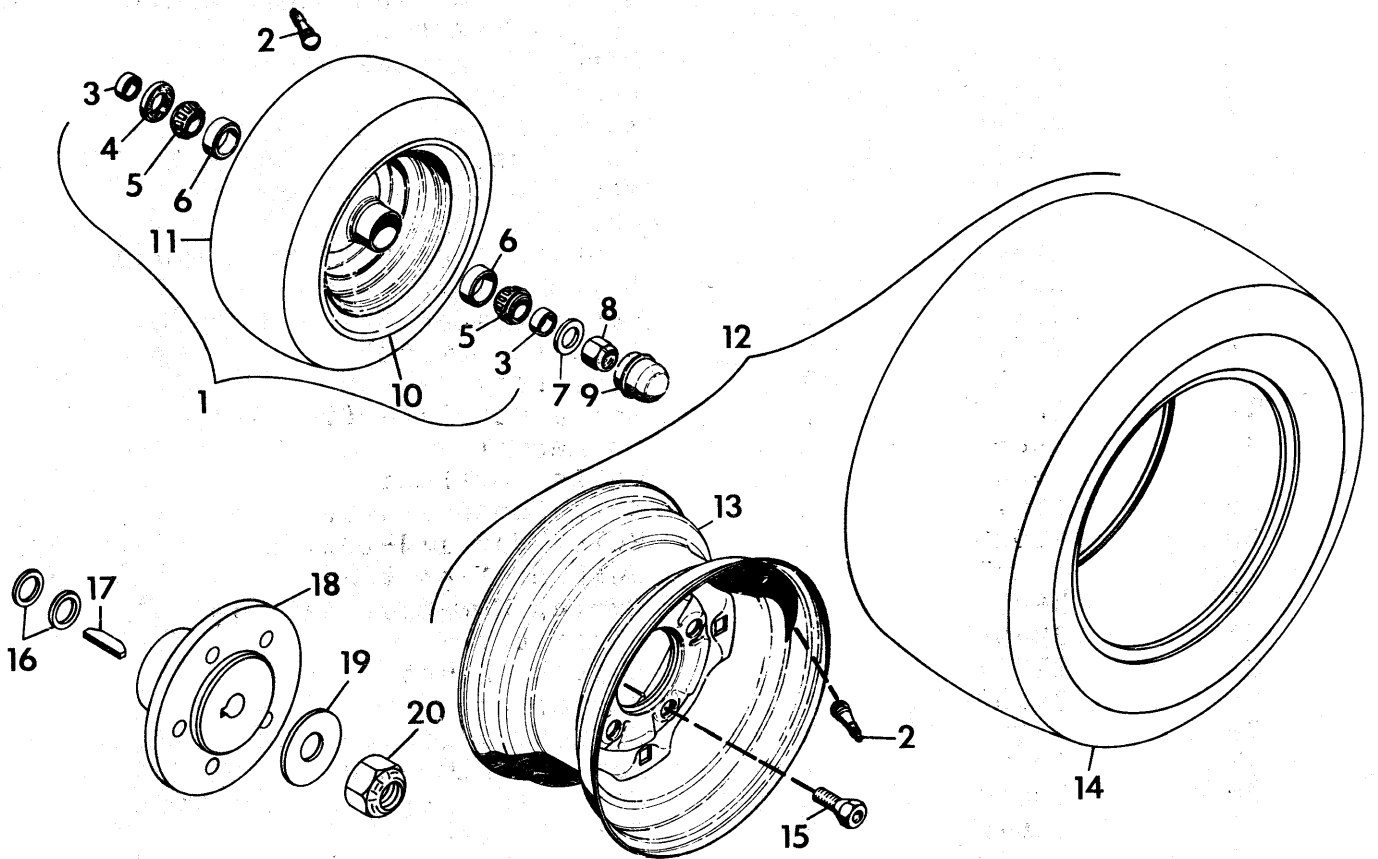


**ELECTRICAL SYSTEM  
MODELS 8179-G AND 8199-G**

ITEM NO.	PART NO.	QTY.	DESCRIPTION
1	35062	2	Switch, Seat
2	38059	18	Terminal
3	40455	1	Harness, Wiring Seat Switch
4	21848	1	Gauge, Ammeter
5	14893	1	Fuse, 30 Amp AGC-30
6	21416	1	Fuse, Panel
7	38186	1	Knob, Light Switch
8	18587	1	Nut, Special Light Switch
9	18570	1	Key, Ignition Switch
10	19666	1	Nut, Jam 9/16-24
11	19667	1	Washer, Lock 9/16 Int. Tooth
12	20916	2	Switch, Interlock
13	107354	1	Nut, Stamped 9/16-18
14	20660	1	Bracket, Switch
15	419454	7	Nut, Lock 1/4-20
16	180018	2	Bolt, Hex 1/4-20x.625
17	38057	1	Connector
18	39862	1	Cable, Starter
19	11676	2	Nut, Speed 1/4-20
20	180020	5	Bolt, Hex 1/4-20x.75
21	7277	1	Switch, Magnetic
22	39871	1	Cable, Negative Battery
23	38256	1	Hourmeter
24	11337	1	Switch, Light
25	38058	2	Connector
26	19223	1	Switch, Ignition
27	39853	1	Panel, Instrument
28	39860	1	Harness, Wiring Kohler Twin
29	10629	5	Tie, Cable
30	120392	5	Washer, Flat .281x.625x.065
31	40216	1	Relay
32	40215	1	Module, Time Delay
33	33847	3	Boot, Battery Cable
34	34466	1	Cover, Battery Terminal
35	39861	1	Cable, Battery to Magnetic Switch
36	40456	1	Harness, Wiring Ground and Lights
37	39069	2	Headlight
38	37764	1	Battery, 12 Volt
39	37742	2	Clamp
40	126342	2	Bolt, 1/4-20x1.75 Rd Hd Sq Nk

NOTE: See the Operator's Manual for Wiring Diagram.

# FRONT AND REAR WHEELS



## FRONT AND REAR WHEELS

ITEM NO.	PART NO.	QTY.	DESCRIPTION
1	18442	2	Assembly, Front Wheel 16x6.50-8
	31425	2	Assembly, Front Wheel 16x7.50-8
2	11191	2	Assembly, Valve Stem
3	18448	2	Spacer
4	18447	1	Seal, Oil
5	18446	2	Bearing, Cone LM 11949
6	18445	2	Bearing, Cup LM 11910
7	131016	2	Washer, Flat .656x1.312x.095
8	418692	2	Nut, Lock 5/8-11
9	18449	2	Cap
10	18443	1	Rim, Front Wheel Assembly
11	11190	1	Tire, Front 16x6.50-8
	31280	1	Tire, Front 16x7.50-8
12	11705	2	Assembly, Rear Wheel 23x8.50-12
	21499	1	Assembly, Wheel R.H. 23x8.5-12 SGT
	22216	1	Assembly, Wheel L.H. 23x8.5-12 SGT
	31424	2	Assembly, Rear Wheel 23x10.50-12
13	11195	1	Rim, Weldment
14	11194	1	Tire, Rear 23x8.50-12
	21500	1	Tire, Super Terra 23x8.50-12
	31278	1	Tire, Rear 23x10.50-12
15	12744	10	Bolt, Hub 7/16-20x.75 (Special)
16	423315	4	Washer, Flat .813x1.37x.100
17	187184	2	Key, Woodruff .250x2.125 Soft
18	40304	2	Hub, Tapered 4-Wheel
19	131000	2	Washer, Flat .813x2.0x.148
20	456007	2	Nut, Lock 3/4-10